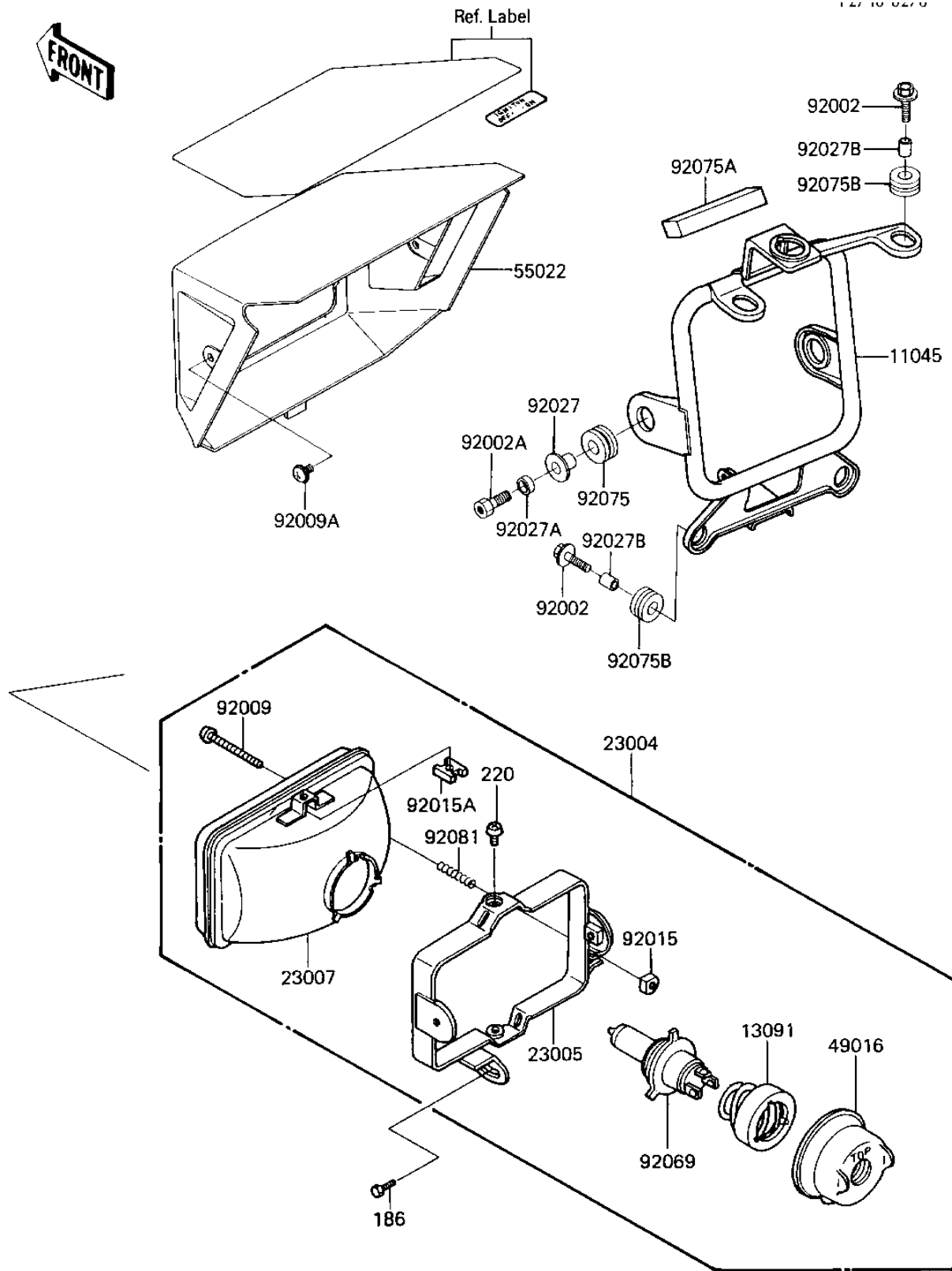


1987 Tecate PARTS DIAGRAM

HEADLIGHT



1987 Tecate PARTS LIST

HEADLIGHT

ITEM NAME	PART NUMBER	QUANTITY
BRACKET,HEAD LAMP (Ref # 11045)	11045-1386	1
HOLDER,SOCKET (Ref # 13091)	13091-1558	1
LAMP-HEAD (Ref # 23004)	23004-1251	1
BODY-COMP-HEAD LAMP (Ref # 23005)	23005-1052	1
LENS-COMP,HEAD LAMP (Ref # 23007)	23007-1174	1
COVER-SEAL,SOCKET (Ref # 49016)	49016-1037	1
COVER-HEAD (Ref # 55022)	55022-1053-6W	1
BOLT,6X25 (Ref # 92002)	92002-1137	4
BOLT (Ref # 92002A)	92002-1754	2
SCREW,FOCUS ADJUSTING (Ref # 92009)	92009-1065	1
SCREW,6X8 (Ref # 92009A)	92009-1294	2
NUT,4MM (Ref # 92015)	23020-018	1
NUT,5MM (Ref # 92015A)	92015-1354	2
COLLAR,FUEL TANK FITT (Ref # 92027)	92027-1134	2
COLLAR,8.2X13X6 (Ref # 92027A)	92027-1565	2
COLLAR,REAR FENDER (Ref # 92027B)	92027-162	4
BULB,12V-60/55W (Ref # 92069)	92069-1002	1
DAMPER (Ref # 92075)	92160-1007	2
DAMPER (Ref # 92075A)	92075-1899	1
DAMPER (Ref # 92075B)	92075-1901	4
SPRING FOCUS ADJUST (Ref # 92081)	23014-005	1
BOLT (Ref # 186)	186B0614	1
SCREW PAN HEAD 5X8 (Ref # 220)	220B0508	2