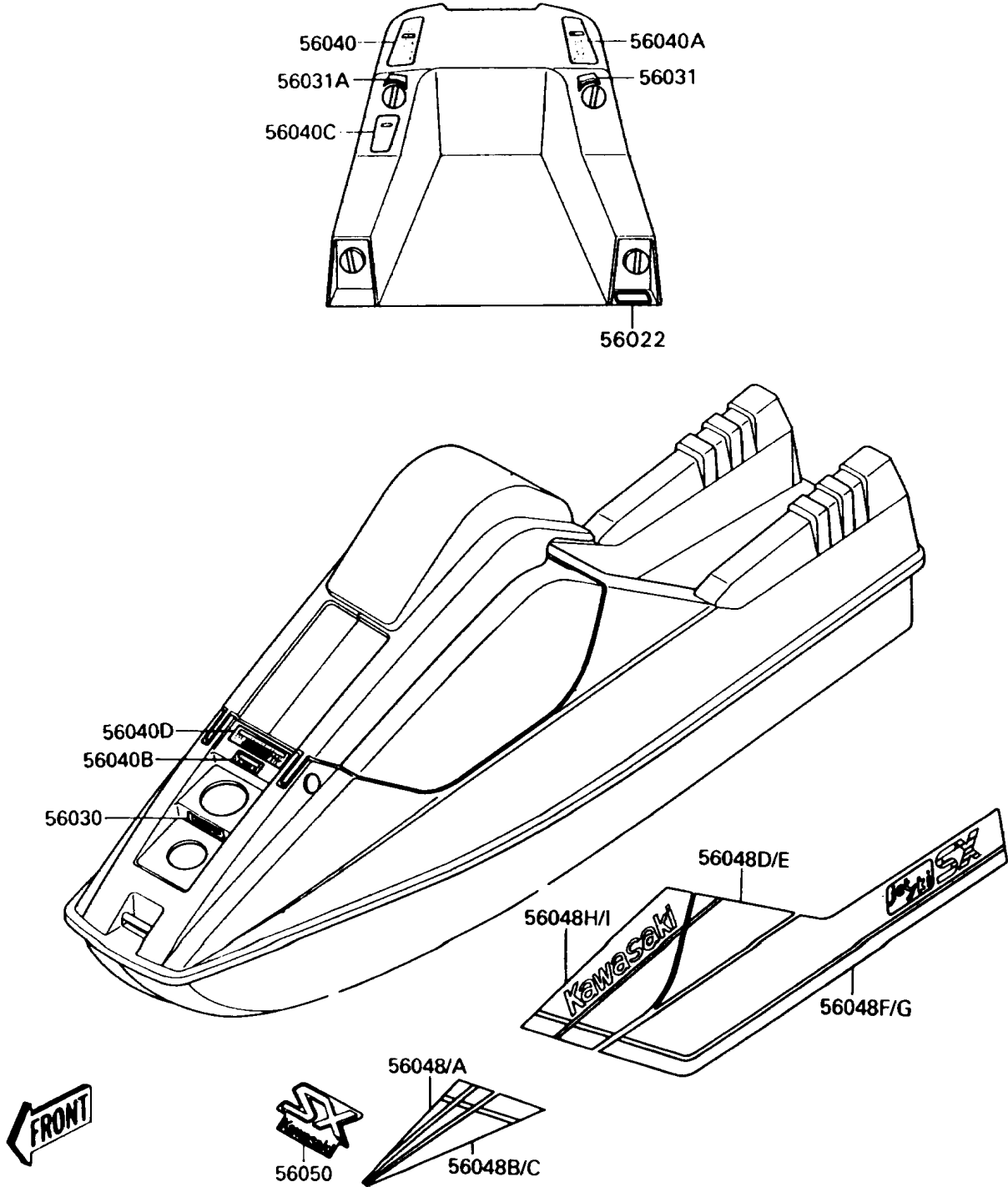


1989 300 SX PARTS DIAGRAM

Labels(JS300-A3)

F3183B



1989 300 SX PARTS LIST

Labels(JS300-A3)

ITEM NAME	PART NUMBER	QUANTITY
LABEL,FIRE EXTINGUISHER (Ref # 56022)	56022-506	1
LABEL,OIL (Ref # 56030)	56030-3721	1
LABEL-MANUAL,FUEL (Ref # 56031)	56031-3701	1
LABEL-MANUAL,CHOKE (Ref # 56031A)	56031-3702	1
LABEL-WARNING,SAFETY (Ref # 56040)	56040-3707	1
LABEL-WARNING,SAFETY (Ref # 56040A)	56040-3708	1
LABEL-WARNING,FUEL (Ref # 56040B)	56040-3712	1
LABEL-WARNING,MAINTENANCE (Ref # 56040C)	56040-3722	1
LABEL-WARNING,BREAK-IN (Ref # 56040D)	56040-3738	1
PATTERN,HULL,LH,FR,UPP (Ref # 56048)	56048-1605	1
PATTERN,HULL,RH,FR,UPP (Ref # 56048A)	56048-1606	1
PATTERN,HULL,LH,FR,LWR (Ref # 56048B)	56048-1607	1
PATTERN,HULL,RH,FR,LWR (Ref # 56048C)	56048-1608	1
PATTERN,HULL,LH,RR,UPP (Ref # 56048D)	56048-1609	1
PATTERN,HULL,RH,RR,UPP (Ref # 56048E)	56048-1610	1
PATTERN,HULL,LH,RR,LWR (Ref # 56048F)	56048-1611	1
PATTERN,HULL,RH,RR,LWR (Ref # 56048G)	56048-1612	1
PATTERN,ENGINE HOOD,LH (Ref # 56048H)	56048-1613	1
PATTERN,ENGINE HOOD,RH (Ref # 56048I)	56048-1614	1
MARK,SX/KAWASAKI (Ref # 56050)	56050-1211	1