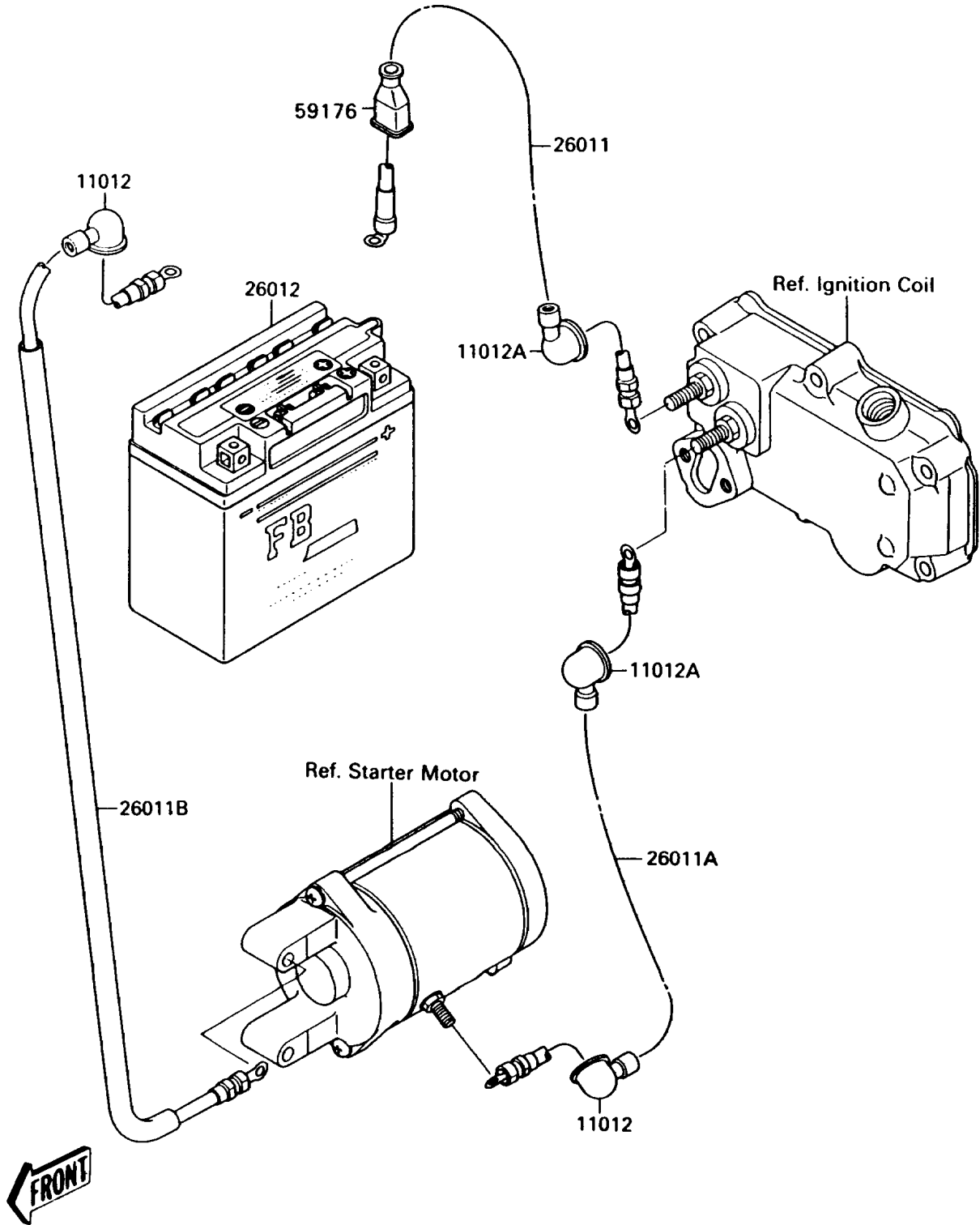


# 1989 300 SX PARTS DIAGRAM

Electrical Equipment

( F3181 )



# 1989 300 SX PARTS LIST

## Electrical Equipment

ITEM NAME	PART NUMBER	QUANTITY
CAP (Ref # 11012)	11012-3004	2
CAP,LEAD WIRE (Ref # 11012A)	11012-3726	2
WIRE-LEAD,BATTERY(+) (Ref # 26011)	26011-3709	1
WIRE-LEAD (Ref # 26011A)	26011-3713	1
WIRE-LEAD,BATTERY(-) (Ref # 26011B)	26011-3720	1
BATTERY,YB16CL-B,12V 19AH (Ref # 26012)	26012-3707	1
CAP.,TERMINAL (Ref # 59176)	59176-501	1