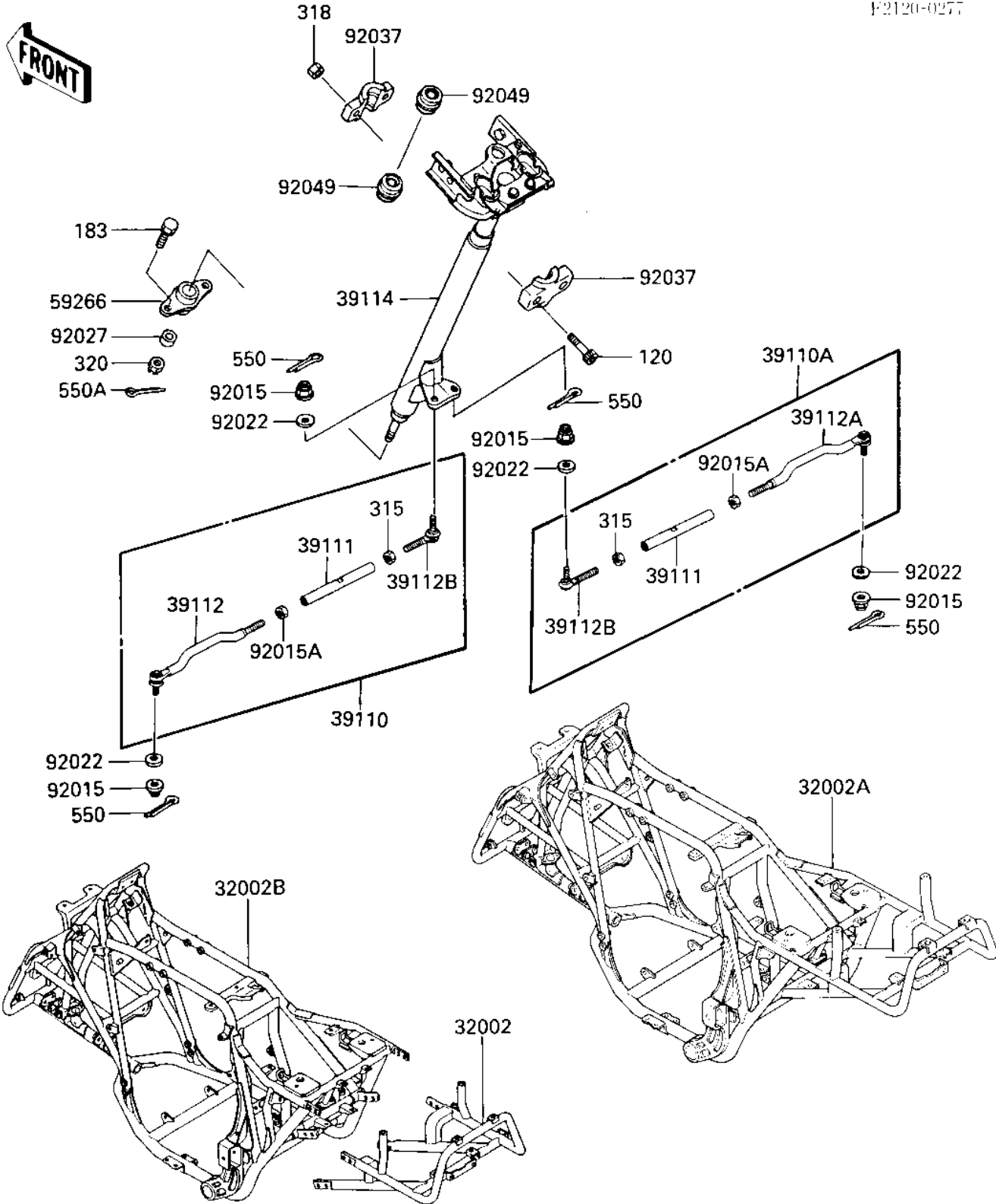


# 1987 Bayou 300 PARTS DIAGRAM

FRAME/STEERING

F2120-0277



# 1987 Bayou 300 PARTS LIST

## FRAME/STEERING

ITEM NAME	PART NUMBER	QUANTITY
FRAME-COMP,RR (Ref # 32002)	32002-1811	1
FRAME,COMP (Ref # 32002A)	32002-1906	1
FRAME-COMP,FR (Canada) (Ref # 32002B)	32002-1909	1
ROD-ASSY-TIE,LH (Ref # 39110)	39110-1061	1
ROD-ASSY-TIE,RH (Ref # 39110A)	39110-1062	1
ROD-TIE (Ref # 39111)	39111-1062	2
RODEND-TIE (Ref # 39112)	39112-1055	1
RODEND-TIE (Ref # 39112A)	39112-1056	1
RODEND-TIE (Ref # 39112B)	39112-1057	2
SHAFT-COMP-STRG (Ref # 39114)	39114-1056	1
JOINT-BALL (Ref # 59266)	59266-1066	1
NUT,LOCK,FLANGED,10MM (Ref # 92015)	92015-1338	4
NUT,LOCK,12MM (Ref # 92015A)	92015-1532	2
WASHER,PLAIN (Ref # 92022)	92022-239	4
COLLAR,10X21.3X7 (Ref # 92027)	92027-1817	1
CLAMP,STEERING SHAFT (Ref # 92037)	92037-1572	2
SEAL-OIL,MY25X33X8 (Ref # 92049)	92049-1199	2
BOLT,ALLEN,8X45 (Ref # 120)	120P0845	2
BOLT-UPSET-WS-SMALL (Ref # 183)	183G0822	1
NUT-HEX-FINE (Ref # 315)	315C1200	2
NUT 8MM (Ref # 318)	318B0800	2
NUT-CASTLE (Ref # 320)	320H1000	1
PIN COTTER 2.0X15 (Ref # 550)	550D2015	4
PIN,COTTER,2.5X18 (Ref # 550A)	550D2518	1