

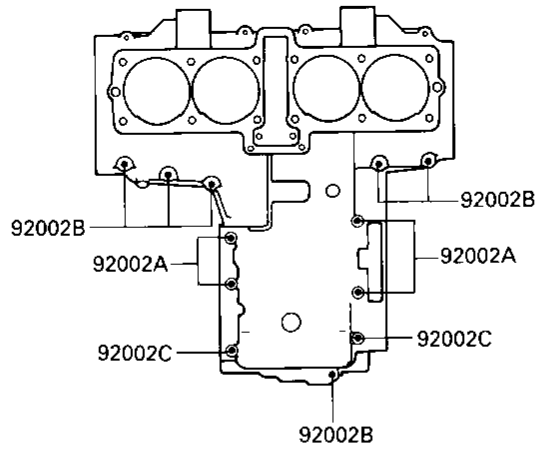
# 1987 Ninja® 600RX PARTS DIAGRAM

## CRANKCASE BOLT PATTERN

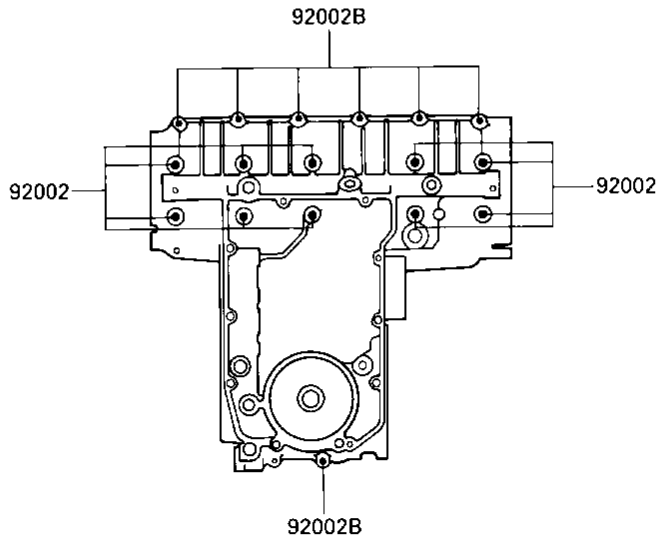
E1412-0034

Re  
Ni

Upper Case (Outside)



Lower Case (Outside)



# 1987 Ninja® 600RX PARTS LIST

## CRANKCASE BOLT PATTERN

ITEM NAME	PART NUMBER	QUANTITY
BOLT,8X95 (Ref # 92002)	92002-1077	10
BOLT,6X95 (Ref # 92002A)	92002-1078	4
BOLT,6X40 (Ref # 92002B)	92002-1080	13
BOLT,6X75 (Ref # 92002C)	92002-1483	2