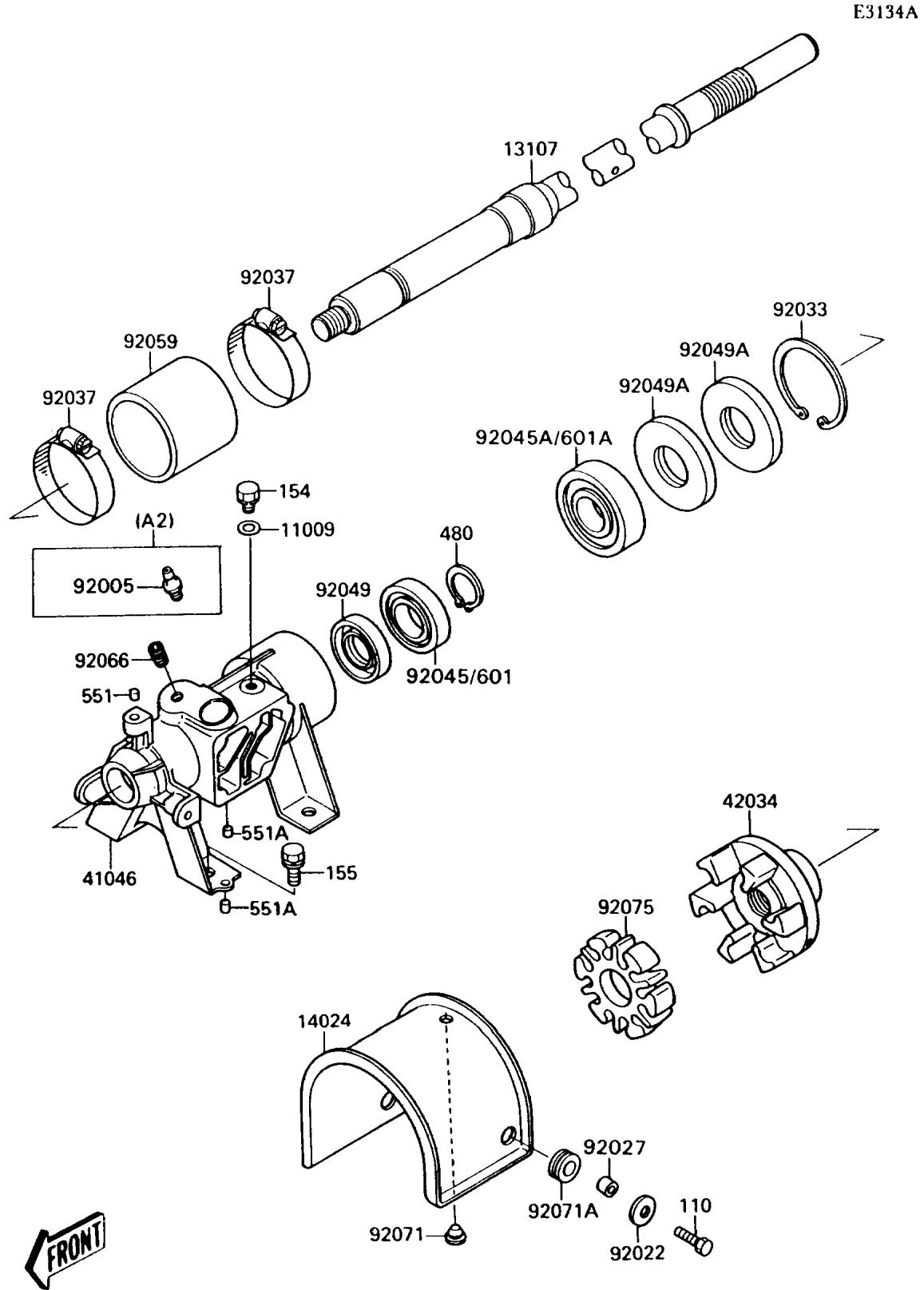


1990 300 SX PARTS DIAGRAM

Drive Shaft(JS300-A2/A3/A4/A5)



1990 300 SX PARTS LIST

Drive Shaft(JS300-A2/A3/A4/A5)

ITEM NAME	PART NUMBER	QUANTITY
GASKET,8.5X16X1.0 (Ref # 11009)	11009-3715	1
SHAFT,DRIVE (Ref # 13107)	13107-3702	1
COVER,COUPLING (Ref # 14024)	14024-3705	1
HOUSING-BEARING (Ref # 41046)	41046-3706	1
COUPLING (Ref # 42034)	42034-3705	1
WASHER,6.2X20X2 (Ref # 92022)	92022-3714	2
COLLAR,7.1X10.5X6 (Ref # 92027)	92027-3702	2
RING-SNAP (Ref # 92033)	92033-3705	1
CLAMP (Ref # 92037)	92037-3711	2
BEARING-BALL (Ref # 92045)	92045-3707	1
BEARING-BALL (Ref # 92045A)	92045-3708	1
SEAL-OIL,S25428 (Ref # 92049)	92049-3702	1
SEAL-OIL,S31628 (Ref # 92049A)	92049-3703	2
TUBE,67X73X57 (Ref # 92059)	92059-3727	1
PLUG,OIL LINE,1/8X7 (Ref # 92066)	92066-1227	1
GROMMET,RADIATOR FITTING (Ref # 92071)	92071-1038	1
GROMMET (Ref # 92071A)	92071-3712	2
DAMPER,COUPLING (Ref # 92075)	92075-520	1
BOLT,6X20 (Ref # 110)	110R0620	2
BOLT-WP-SMALL (Ref # 154)	154R0814	1
BOLT-WSP-SMALL,8X20 (Ref # 155)	155R0820	4
CIRCLIP-TYPE-C,25MM (Ref # 480)	480J2500	1
PIN-DOWEL (Ref # 551)	551R0412	1
PIN-DOWEL (Ref # 551A)	551R0612	2