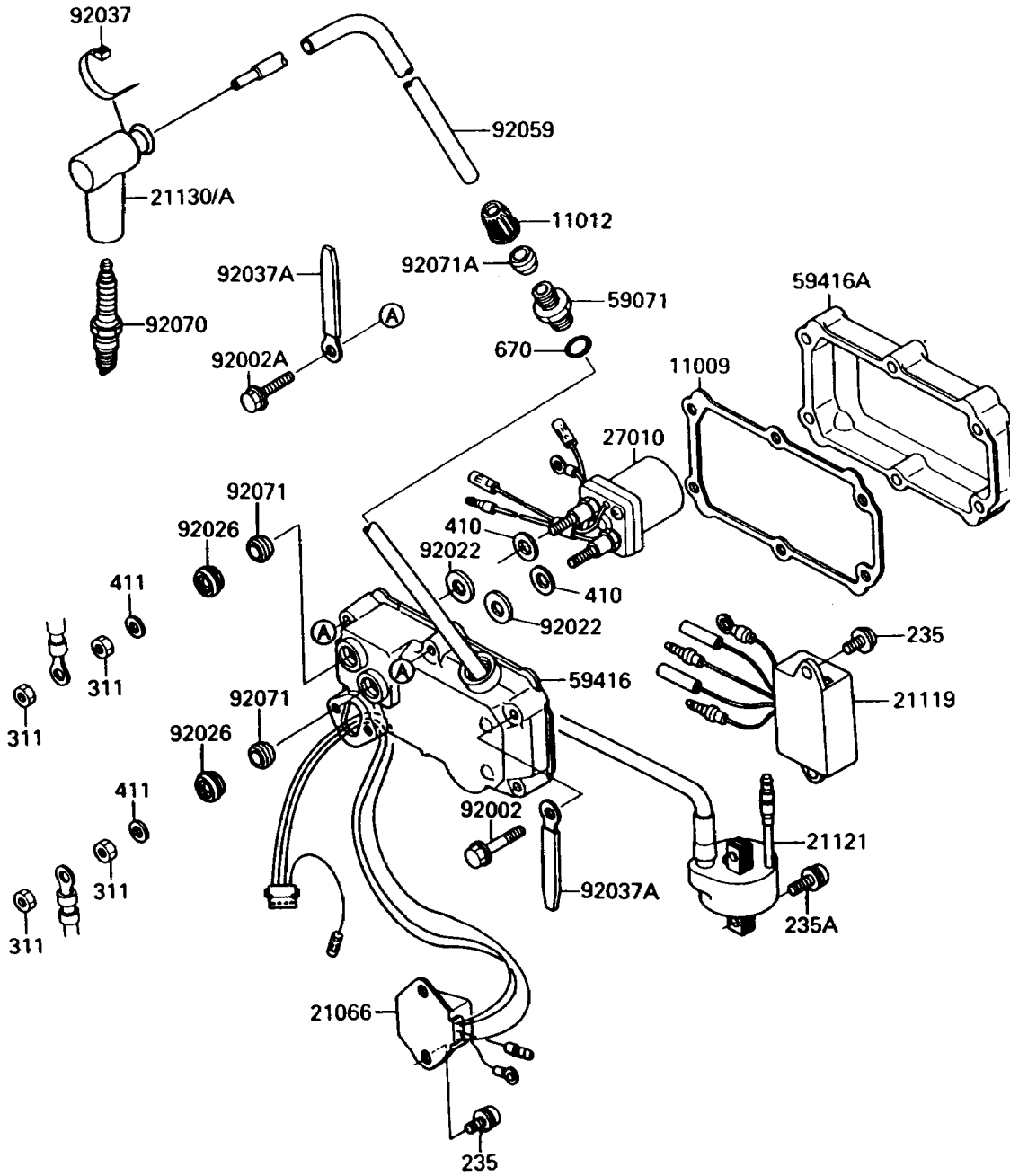


# 1989 300 SX PARTS DIAGRAM

Ignition System(JS300-A3/A4/A5)

E1830B



# 1989 300 SX PARTS LIST

Ignition System(JS300-A3/A4/A5)

ITEM NAME	PART NUMBER	QUANTITY
GASKET,ELECTRIC CASE (Ref # 11009)	11009-3711	1
CAP (Ref # 11012)	11012-3005	1
REGULATOR-VOLTAGE (Ref # 21066)	21066-3707	1
IGNITER (Ref # 21119)	21119-3713	1
COIL-IGNITION (Ref # 21121)	21121-3701	1
CAP-SPARK PLUG (Ref # 21130)	21130-1062	1
SWITCH,STARTER RELAY (Ref # 27010)	27010-3703	1
JOINT (Ref # 59071)	59071-3001	1
CASE-ELECTRIC,FR (Ref # 59416)	59416-3702	1
CASE-ELECTRIC,RR (Ref # 59416A)	59416-3703	1
BOLT,6X35 (Ref # 92002)	92002-3715	2
BOLT,6X65 (Ref # 92002A)	92002-3720	4
WASHER (Ref # 92022)	92022-3035	2
SPACER (Ref # 92026)	92026-3703	2
CLAMP (Ref # 92037)	92037-1173	1
CLAMP,L=100 (Ref # 92037A)	92037-3736	3
TUBE (Ref # 92059)	92059-3820	1
PLUG-SPARK,BR7ES(NGK) (Ref # 92070)	92070-3701	1
GROMMET (Ref # 92071)	92071-3004	2
GROMMET (Ref # 92071A)	92071-527	1
SCREW-PAN-WP-CROS (Ref # 235)	235B0616	4
SCREW-PAN-WP-CROS (Ref # 235A)	235B0620	2
NUT-HEX,6MM (Ref # 311)	311R0600	4
WASHER-PLAIN-SMALL,10MM (Ref # 410)	410B1000	2
WASHER-PLAIN,6MM (Ref # 411)	411S0600	2
O RING,16MM (Ref # 670)	670B2016	1