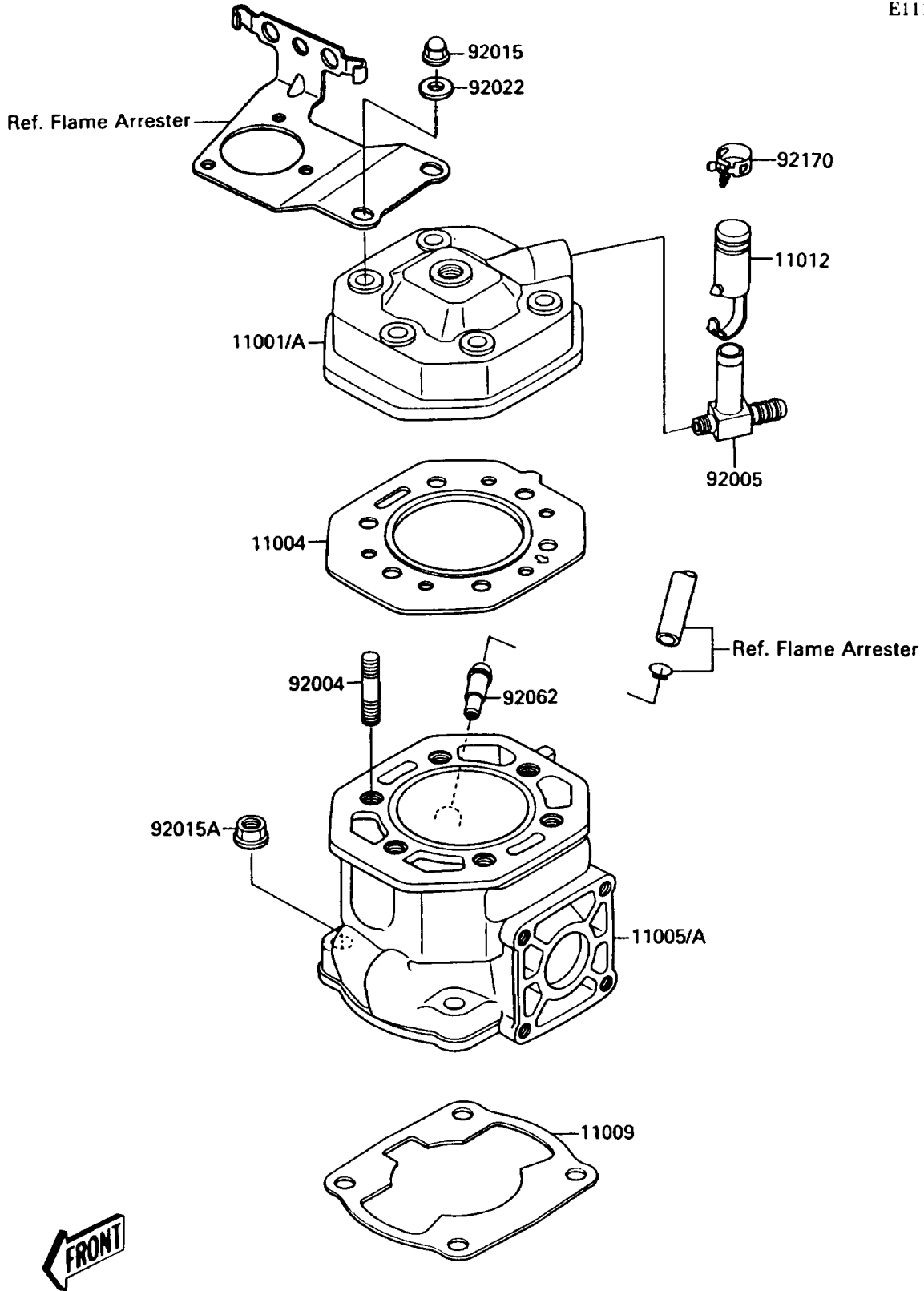


# 1989 300 SX PARTS DIAGRAM

Cylinder Head/Cylinder

E1110A



# 1989 300 SX PARTS LIST

## Cylinder Head/Cylinder

ITEM NAME	PART NUMBER	QUANTITY
HEAD-CYLINDER (Ref # 11001)	11001-3703	1
GASKET-HEAD (Ref # 11004)	11004-3703	1
CYLINDER-ENGINE (Ref # 11005)	11005-3709	1
GASKET,CYLINDER BASE (Ref # 11009)	11009-3706	1
CAP (Ref # 11012)	11012-3744	1
STUD,8X43 (Ref # 92004)	92004-3719	6
FITTING (Ref # 92005)	92005-3704	1
NUT,CAP,8MM (Ref # 92015)	92015-1371	6
NUT,10MM (Ref # 92015A)	92015-3708	4
WASHER,8.2X18X1.5 (Ref # 92022)	92022-1964	6
NOZZLE (Ref # 92062)	92062-3705	1
CLAMP (Ref # 92170)	92170-3714	1