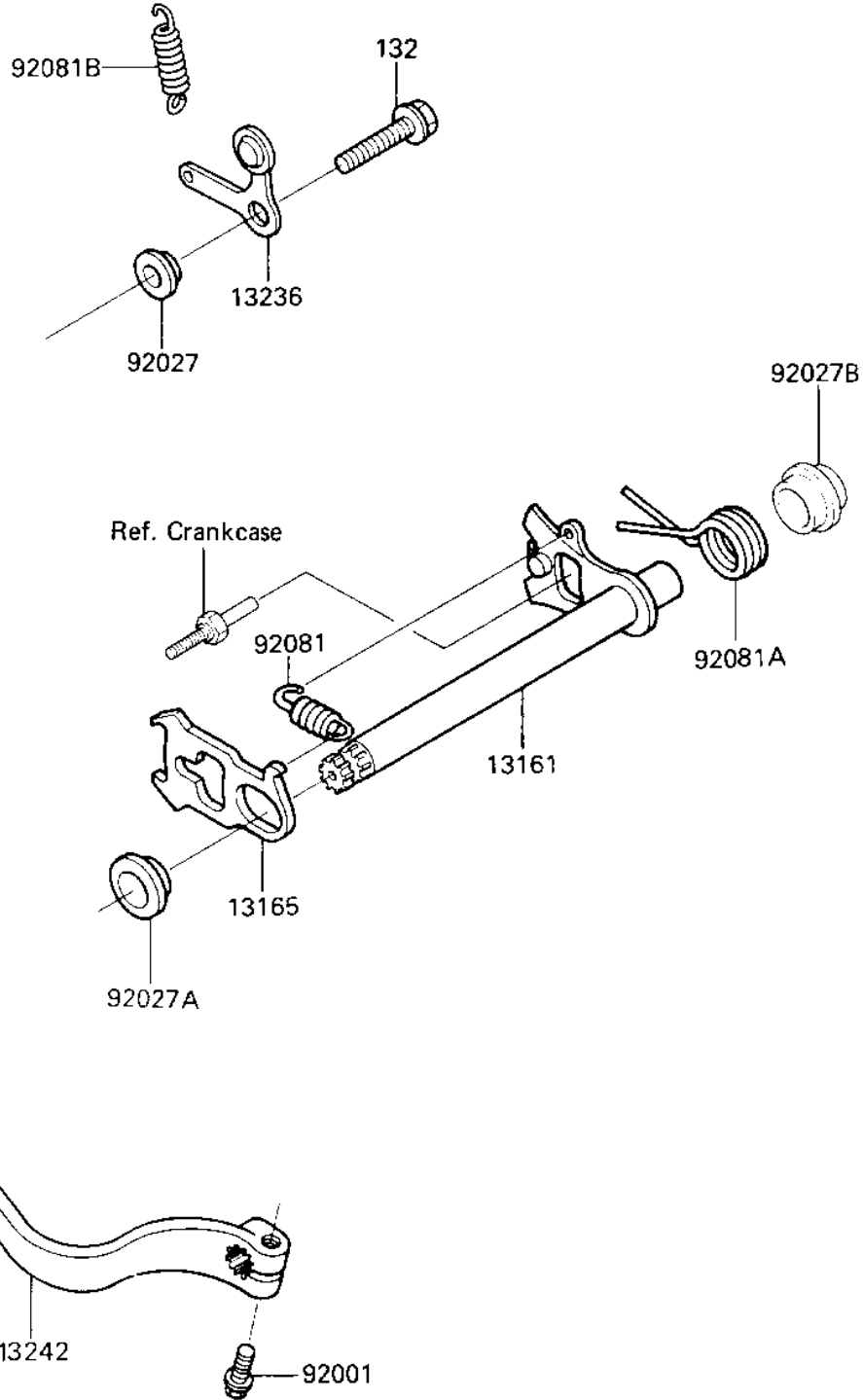


1986 KX250 PARTS DIAGRAM

GEAR CHANGE MECHANISM

E1370-0125



1986 KX250 PARTS LIST

GEAR CHANGE MECHANISM

| ITEM NAME | PART NUMBER | QUANTITY |
|-------------------------------------|-------------|----------|
| LEVER-COMP-CHANGE SH (Ref # 13161) | 13161-1109 | 1 |
| PAWL,CHANGE LEVER (Ref # 13165) | 13165-1119 | 1 |
| LEVER,CHANGE DRUM (Ref # 13236) | 13236-1021 | 1 |
| LEVER-ASSY-CHANGE,PE (Ref # 13242) | 13242-1166 | 1 |
| BOLT,FLANGED,6X22 (Ref # 92001) | 92001-1352 | 1 |
| COLLAR (Ref # 92027) | 92027-1248 | 1 |
| COLLAR,CHANGE SHAFT, (Ref # 92027A) | 92027-1512 | 1 |
| COLLAR,RETURN SPRING (Ref # 92027B) | 92027-1682 | 1 |
| SPRING-CHANGE LEVER (Ref # 92081) | 92081-076 | 1 |
| SPRING,CHANGE SHAFT (Ref # 92081A) | 92081-1716 | 1 |
| SPRING,CHNG DRUM LEV (Ref # 92081B) | 92083-012 | 1 |
| BOLT-FLANGED-SMALL (Ref # 132) | 132G0616 | 1 |