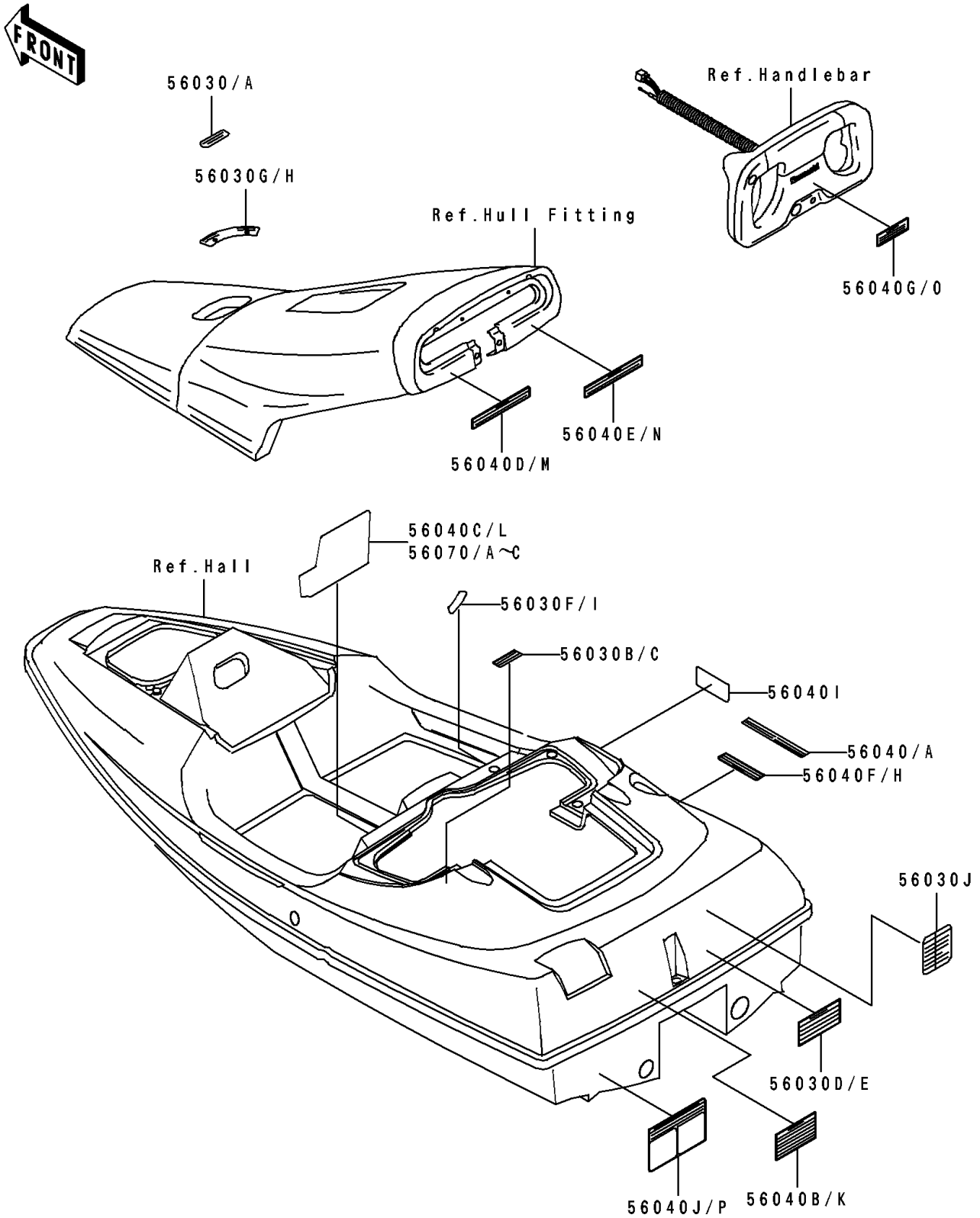


## 1991 SC PARTS DIAGRAM

Labels

F 3183



## 1991 SC PARTS LIST

Labels

ITEM NAME	PART NUMBER	QUANTITY
LABEL,FIRE EXTINGUISHER (Ref # 56030)	56030-3755	1
LABEL,FIRE EXTINGUISHER(FRENCH (Ref # 56030A)	56030-3757	1
LABEL,OIL RECOMMENDED (Ref # 56030B)	56030-3761	1
LABEL,OIL RECOMMENDED(FRENCH) (Ref # 56030C)	56030-3765	1
LABEL,REVERSE BUCKET (Ref # 56030D)	56030-3766	1
LABEL,REVERSE BUCKET(FRENCH) (Ref # 56030E)	56030-3767	1
LABEL,REVERSE LEVER (Ref # 56030F)	56030-3780	1
LABEL,REVERSE LEVER(FRENCH) (Ref # 56030I)	56030-3783	1
LABEL,ENGLISH/FRENCH(FRENCH) (Ref # 56030J)	56030-3785	1
LABEL-WARNING,OIL-FUEL MIXTURE (Ref # 56040)	56040-3800	1
LABEL,OIL-FUEL MIXTURE(FRENCH) (Ref # 56040A)	56040-3808	1
LABEL-WARNING,NOZZLE (Ref # 56040B)	56040-3898	1
LABEL-WARNING,MANUAL (Ref # 56040C)	56040-3899	1
LABEL-WARNING,ADJUST STEERING (Ref # 56040D)	56040-3900	1
LABEL-WARNING,SAFETY HANDS (Ref # 56040E)	56040-3901	1
LABEL-WARNING,FUEL SUPPLY (Ref # 56040F)	56040-3902	1
LABEL-WARNING,LANYARD (Ref # 56040G)	56040-3903	1
LABEL,FUEL SUPPLY(FRENCH) (Ref # 56040H)	56040-3904	1
LABEL-WARNING,DECK BAND (Ref # 56040I)	56040-3912	1
LABEL-WARNING,RIGHTING CAPSIZE (Ref # 56040J)	56040-3913	1
LABEL-WARNING,NOZZLE(FRENCH) (Ref # 56040K)	56040-3916	1
LABEL-WARNING,MANUAL(FRENCH) (Ref # 56040L)	56040-3917	1
LABEL,ADJUST STEERING(FRENCH) (Ref # 56040M)	56040-3918	1
LABEL,SAFETY HANDS(FRENCH) (Ref # 56040N)	56040-3919	1
LABEL-WARNING,LANYARD(FRENCH) (Ref # 56040O)	56040-3920	1
LABEL,RIGHITING CAPSIZE(FRENCH (Ref # 56040P)	56040-3921	1