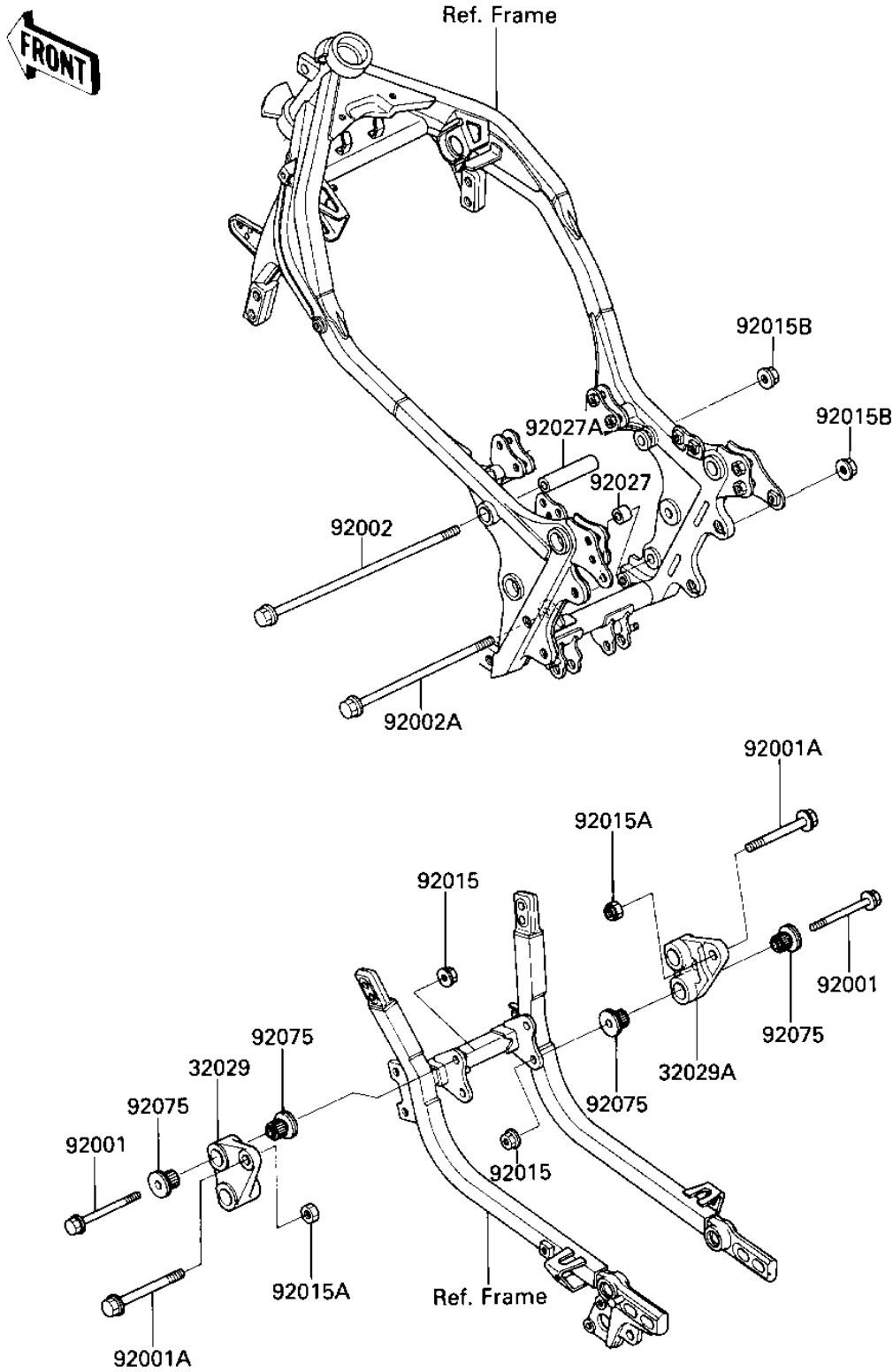


1986 Ninja® 1000R PARTS DIAGRAM

FRAME FITTINGS

F2131-0219



1986 Ninja® 1000R PARTS LIST

FRAME FITTINGS

ITEM NAME	PART NUMBER	QUANTITY
BRACKET-ENGINE,FR,LH (Ref # 32029)	32029-1396	1
BRACKET-ENGINE,FR,RH (Ref # 32029A)	32029-1397	1
BOLT,FLANGED,8X60 (Ref # 92001)	92001-1581	4
BOLT,FLANGED,10X60 (Ref # 92001A)	92001-1599	2
BOLT,FLANGED,10X295 (Ref # 92002)	92002-1519	1
BOLT,FLANGED,10X230 (Ref # 92002A)	92002-1520	1
NUT,8MM (Ref # 92015)	92015-1406	4
NUT,10MM (Ref # 92015A)	92015-1429	2
NUT,FLANGED,10MM (Ref # 92015B)	92015-1502	2
COLLAR,10.5X23X20 (Ref # 92027)	92027-1893	1
COLLAR,10.5X23X70 (Ref # 92027A)	92027-1894	1
DAMPER,ENGINE MOUNT (Ref # 92075)	92075-1721	8