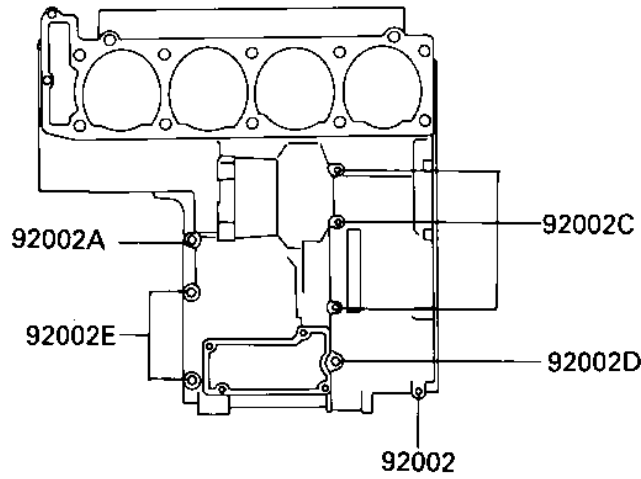


# 1986 Ninja® 1000R PARTS DIAGRAM

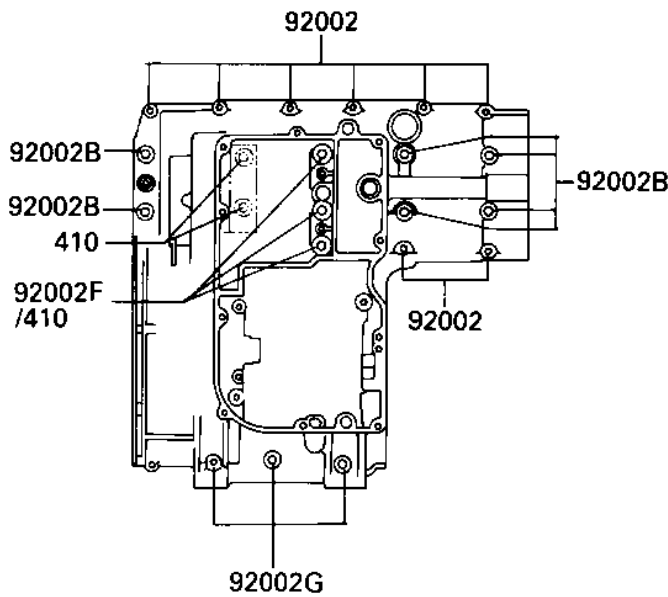
## CRANKCASE BOLT PATTERN

E1412-0027

Upper Case  
(Outside)



Lower Case  
(Outside)



# 1986 Ninja® 1000R PARTS LIST

## CRANKCASE BOLT PATTERN

ITEM NAME	PART NUMBER	QUANTITY
BOLT,6X38 (Ref # 92002)	92001-1899	9
BOLT,6X55 (Ref # 92002A)	92002-1054	1
BOLT,8X90 (Ref # 92002B)	92002-1057	6
BOLT (Ref # 92002C)	92150-1140	3
BOLT (Ref # 92002D)	92002-1306	1
BOLT (Ref # 92002E)	92002-1308	2
BOLT,6X120 (Ref # 92002F)	92150-1164	3
BOLT (Ref # 92002G)	92002-1654	3
WASHER PLAIN 8MM (Ref # 410)	410B0800	5