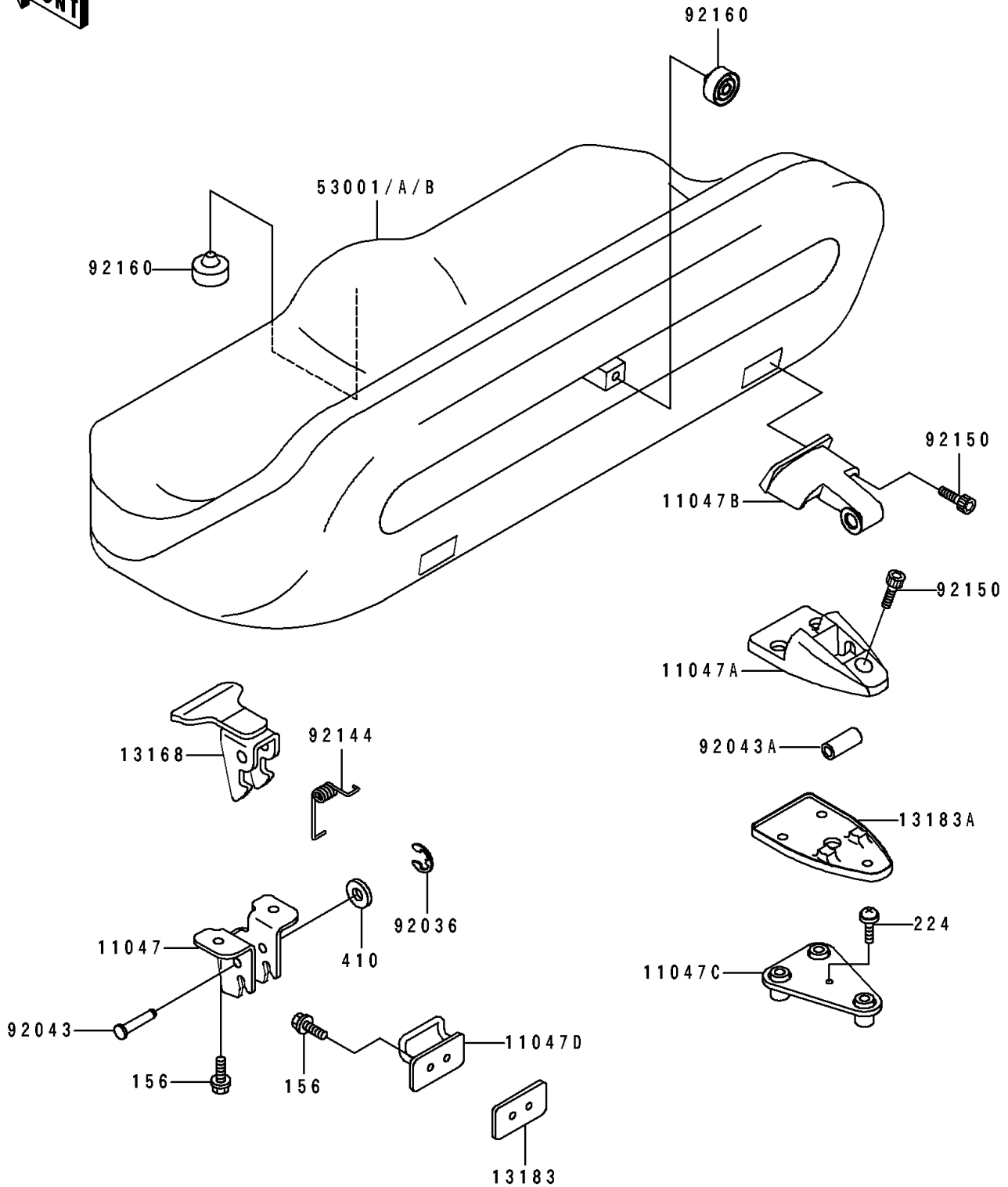


## 1993 SC PARTS DIAGRAM

Seat

F 3 1 4 6



## 1993 SC PARTS LIST

Seat

ITEM NAME	PART NUMBER	QUANTITY
BRACKET,SEAT SIDE LOCK (Ref # 11047)	11047-3732	1
BRACKET,DECK SIDE HINGE,WHITE (Ref # 11047A)	11047-3733-8C	1
BRACKET,SEAT SIDE HINGE,WHITE (Ref # 11047B)	11047-3734-8C	1
BRACKET,DECK SIDE HINGE (Ref # 11047C)	11047-3742	1
BRACKET,DECK SIDE LOCK (Ref # 11047D)	11047-3757	1
LEVER,SEAT LOCK (Ref # 13168)	13168-3718	1
PLATE,DECK SIDE (Ref # 13183)	13183-3778	1
PLATE,HINGE BASE (Ref # 13183A)	13183-3780	1
SEAT-ASSY,T.GREEN (Ref # 53001B)	53001-3717-LH	1
RING-SNAP (Ref # 92036)	92036-518	1
PIN,6X27.5 (Ref # 92043)	92043-3732	1
PIN,6X10X38 (Ref # 92043A)	92043-3733	1
SPRING (Ref # 92144)	92144-3731	1
BOLT,SOCKET,6X20 (Ref # 92150)	92150-3748	1
DAMPER (Ref # 92160)	92160-3766	1
BOLT-WP,6X20 (Ref # 156)	156R0620	1
SCREW-PAN-WP-CROS,5X12 (Ref # 224)	224R0512	1
WASHER-PLAIN-SMALL,6MM (Ref # 410)	410S0600	1