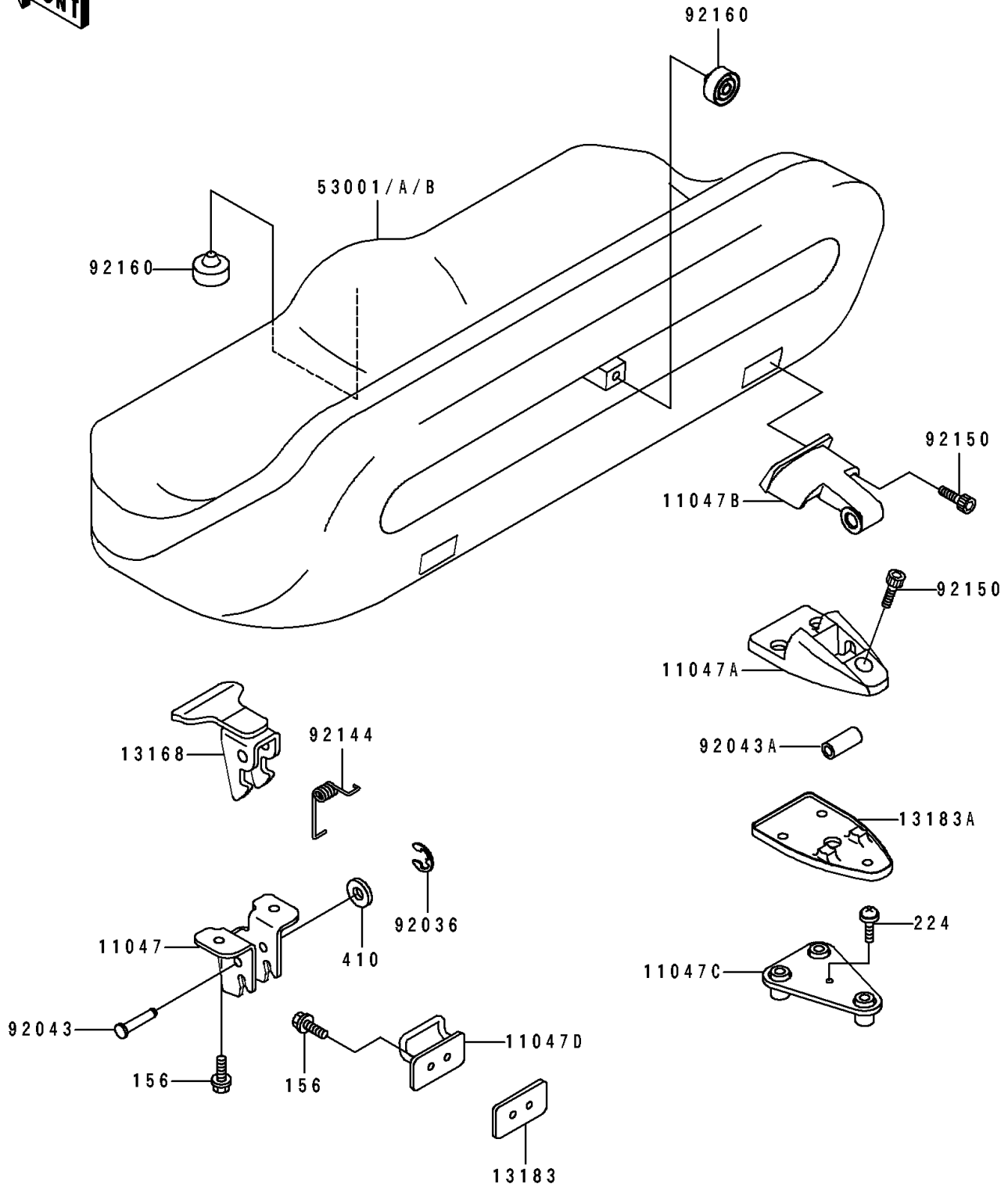


1991 SC PARTS DIAGRAM

Seat

F 3 1 4 6



1991 SC PARTS LIST

Seat

ITEM NAME	PART NUMBER	QUANTITY
BRACKET,SEAT SIDE LOCK (Ref # 11047)	11047-3732	2
BRACKET,DECK SIDE HINGE,WHITE (Ref # 11047A)	11047-3733-8C	2
BRACKET,SEAT SIDE HINGE,WHITE (Ref # 11047B)	11047-3734-8C	2
BRACKET,DECK SIDE HINGE (Ref # 11047C)	11047-3742	2
BRACKET,DECK SIDE LOCK (Ref # 11047D)	11047-3757	2
LEVER,SEAT LOCK (Ref # 13168)	13168-3718	2
PLATE,DECK SIDE (Ref # 13183)	13183-3778	2
PLATE,HINGE BASE (Ref # 13183A)	13183-3780	2
SEAT-ASSY,PINK (Ref # 53001A)	53001-3713-PB	1
RING-SNAP (Ref # 92036)	92036-518	2
PIN,6X27.5 (Ref # 92043)	92043-3732	2
PIN,6X10X38 (Ref # 92043A)	92043-3733	2
SPRING (Ref # 92144)	92144-3731	2
BOLT,SOCKET,6X20 (Ref # 92150)	92150-3748	10
DAMPER (Ref # 92160)	92160-3766	13
BOLT-WP,6X20 (Ref # 156)	156R0620	8
SCREW-PAN-WP-CROS,5X12 (Ref # 224)	224R0512	2
WASHER-PLAIN-SMALL,6MM (Ref # 410)	410S0600	2