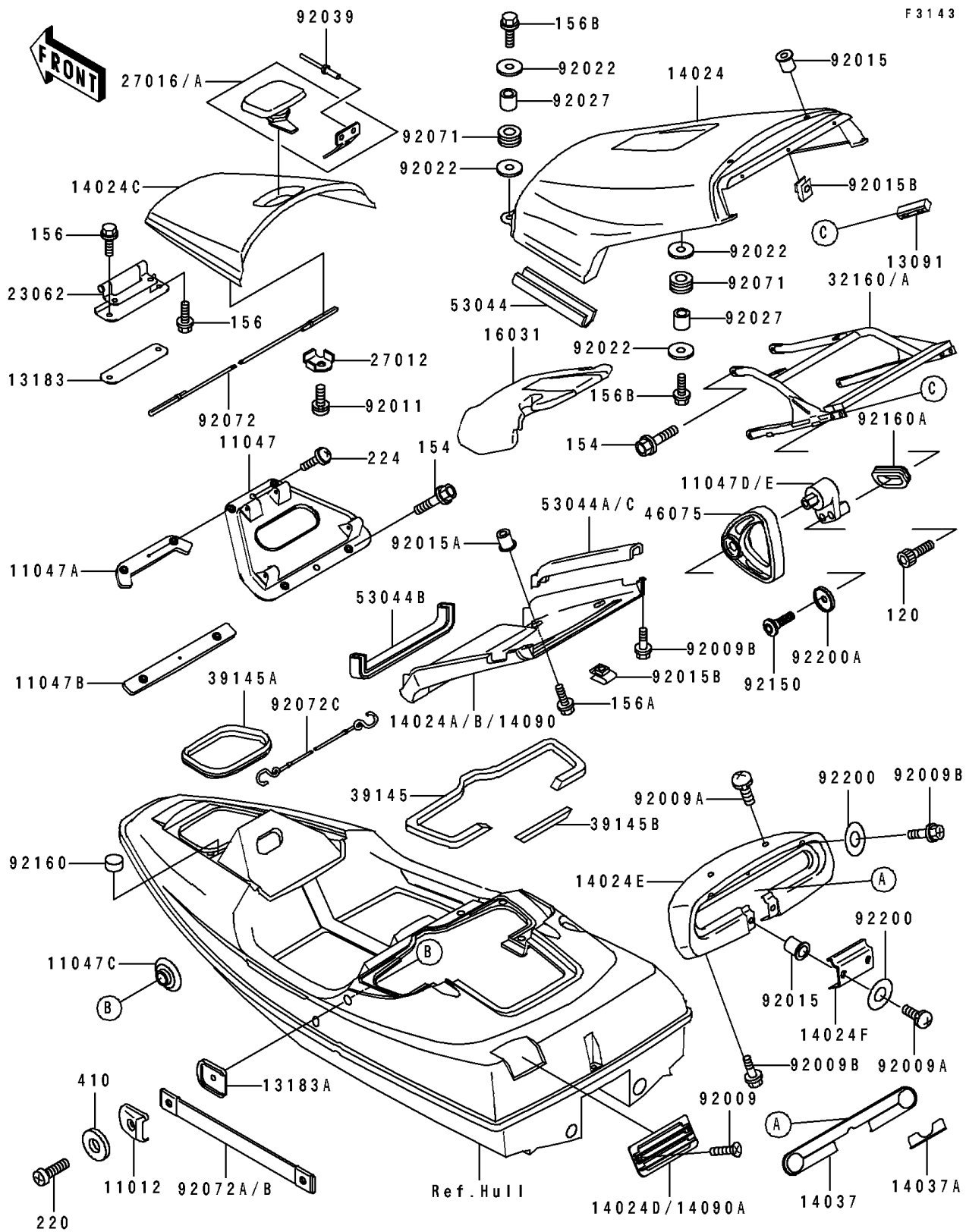


1991 SC PARTS DIAGRAM

Hull Fittings



1991 SC PARTS LIST

Hull Fittings

ITEM NAME	PART NUMBER	QUANTITY
CAP,SIDE BAND,J.WHITE (Ref # 11012)	11012-3756-8C	1
BRACKET,HANDLE FRAME (Ref # 11047)	11047-3735	1
BRACKET,HANDLE FRAME,UNDER,FR (Ref # 11047A)	11047-3736	1
BRACKET,HANDLE FRAME,UNDER,RR (Ref # 11047B)	11047-3737	1
BRACKET,SIDE BAND (Ref # 11047C)	11047-3751	1
PLATE,HINGE BRACKET (Ref # 13183)	13183-3781	1
PLATE,SIDE BAND (Ref # 13183A)	13183-3796	1
COVER,HANDLE TOWER,UPP,J.WHITE (Ref # 14024)	14024-3790-8C	1
COVER,HANDLE TOWER,LWR,PURPLE (Ref # 14024B)	14024-3791-JJ	1
COVER,HATCH,J.WHITE (Ref # 14024C)	14024-3792-8C	1
COVER,REAR DUCT (Ref # 14024D)	14024-3800	1
COVER,HANDLE TOWER,TOP,GRAY (Ref # 14024E)	14024-3802-JH	1
COVER,HANDLE TOWER,TOP,GRAY (Ref # 14024F)	14024-3803-JH	1
SCREEN,HANDLE TOWER,TOP (Ref # 14037)	14037-3703	1
SCREEN,HANDLE TOWER,TOP (Ref # 14037A)	14037-3704	1
FLOAT,HANDLE,UPP (Ref # 16031)	16031-3806	1
BRACKET-COMP,HATCH COVER (Ref # 23062)	23062-3703	1
HOOK (Ref # 27012)	27012-501	1
LOCK-ASSY,HATCH (Ref # 27016)	27016-3716	1
FRAME-COMP,HANDLE (Ref # 32160)	32160-3701	1
TRIM-SEAL,SEAT,L=1600 (Ref # 39145)	39145-3727	1
TRIM-SEAL,L=1058 (Ref # 39145A)	39145-3730	1
TRIM,L=250 (Ref # 53044)	53044-3709	1
TRIM,L=450 (Ref # 53044A)	53044-3715	1
TRIM,L=550 (Ref # 53044B)	53044-3716	1
SCREW,TAPPING,4X14 (Ref # 92009)	92009-3755	1
SCREW,6X20 (Ref # 92009A)	92009-3781	1
SCREW,5X16 (Ref # 92009B)	92009-3789	1
SCREW,TAPPING (Ref # 92011)	92011-561	1

1991 SC PARTS LIST

Hull Fittings

ITEM NAME	PART NUMBER	QUANTITY
NUT (Ref # 92015)	92015-1700	1
NUT,POP,6MM (Ref # 92015A)	92015-3762	1
NUT,5MM (Ref # 92015B)	92015-3799	1
WASHER,6.2X20X2 (Ref # 92022)	92022-3714	1
COLLAR,6.2X10X10 (Ref # 92027)	92027-3705	1
RIVET,4MM (Ref # 92039)	92039-3703	1
GROMMET (Ref # 92071)	92071-3716	1
BAND,STORAGE COVER (Ref # 92072)	92072-3756	1
BAND,SIDE,PINK (Ref # 92072B)	92072-3758-PB	1
BAND,SEAT STOPPER (Ref # 92072C)	92072-3762	1
DAMPER (Ref # 92160)	92160-3775	1
WASHER,NYLON,5.2X12X1 (Ref # 92200)	92200-1011	1
BOLT-WP-SMALL,8X30 (Ref # 154)	154R0830	1
BOLT-WP,6X18 (Ref # 156)	156R0618	1
BOLT-WP,6X20 (Ref # 156A)	156R0620	1
BOLT-WP,6X25 (Ref # 156B)	156R0625	1
SCREW-PAN-CROS,6X25 (Ref # 220)	220R0625	1
SCREW-PAN-WP-CROS,5X14 (Ref # 224)	224R0514	1
WASHER-PLAIN-SMALL,6MM (Ref # 410)	410S0600	1