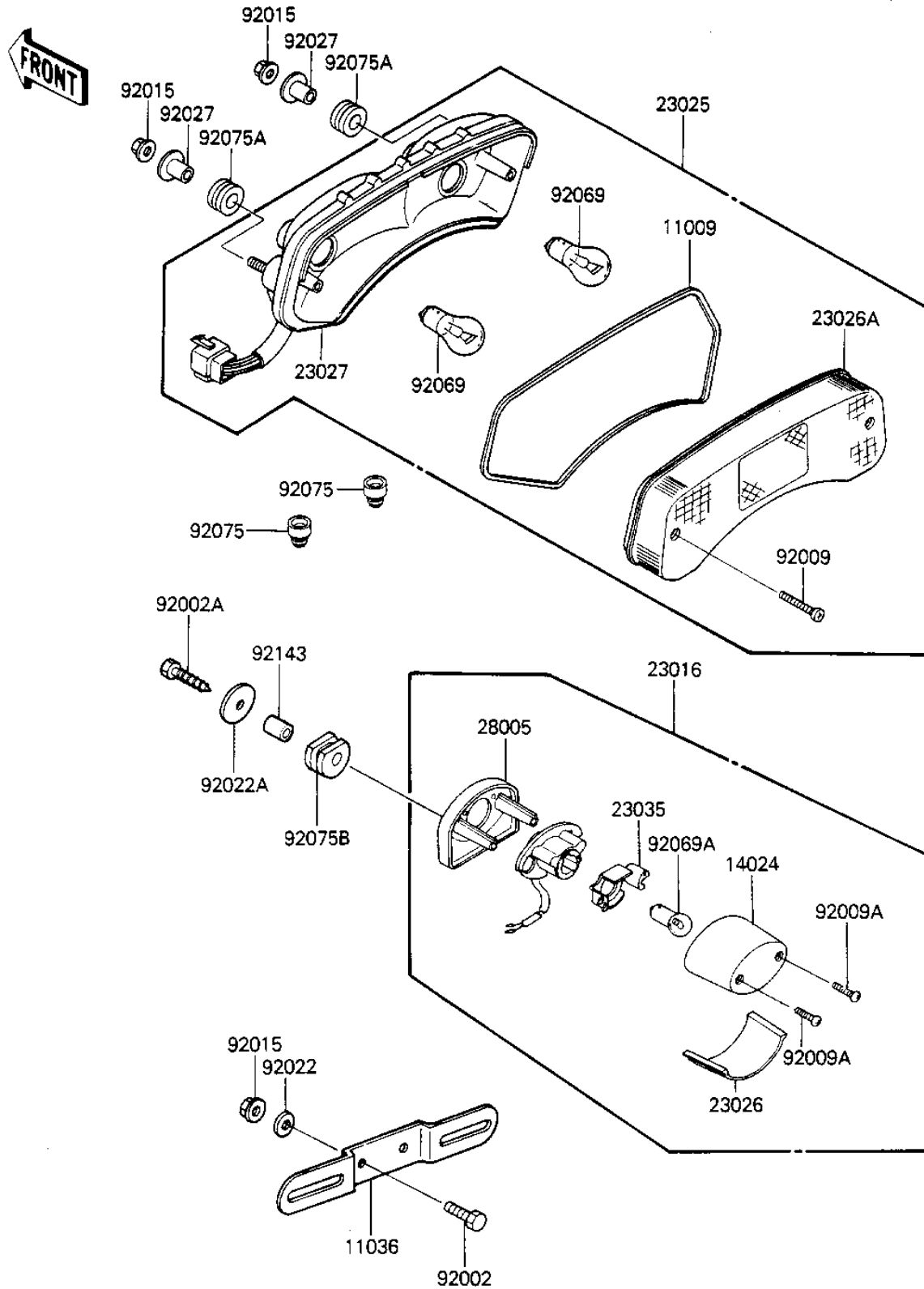


1986 ZL600 Eliminator PARTS DIAGRAM

TAILLIGHT

F2720-0230



1986 ZL600 Eliminator PARTS LIST

TAILLIGHT

ITEM NAME	PART NUMBER	QUANTITY
GASKET,TAIL LAMP LENS (Ref # 11009)	11009-1524	1
BRACKET-A,LICENSE PLA (Ref # 11036)	11036-1040	1
COVER,LICENSE LAMP (Ref # 14024)	14025-1725	1
LAMP-ASSY,LICENSE PLA (Ref # 23016)	23016-1071	1
LAMP-TAIL (Ref # 23025)	23025-1123	1
LENS,LICENSE LAMP (Ref # 23026)	23026-1064	1
LENS,TAIL LAMP (Ref # 23026A)	23026-1068	1
BODY-COMP-TAIL LAMP (Ref # 23027)	23027-1062	1
REFLECTOR-LAMP,LICENS (Ref # 23035)	23035-1060	1
BODY-LAMP,LICENSE (Ref # 28005)	28005-1051	1
BOLT,6X16 (Ref # 92002)	92002-1124	2
BOLT (Ref # 92002A)	92002-1831	2
SCREW,TAPPING (Ref # 92009)	92009-1056	2
SCREW,TAPPING,5X40 (Ref # 92009A)	92009-1378	2
NUT-6MM (Ref # 92015)	92015-1078	4
WASHER 6.5X20X1.6T (Ref # 92022)	92022-125	2
WASHER,5.5X20X1.2 (Ref # 92022A)	92022-1581	2
COLLAR (Ref # 92027)	92027-251	2
BULB,12V 32/3CP (Ref # 92069)	92069-059	2
BULB,12V 4CP (Ref # 92069A)	92069-1012	1
DAMPER RUBB SPEEDMETR (Ref # 92075)	92075-035	2
DAMPER (Ref # 92075A)	92075-1690	2
DAMPER (Ref # 92075B)	92075-1870	2
COLLAR (Ref # 92143)	92143-1047	2