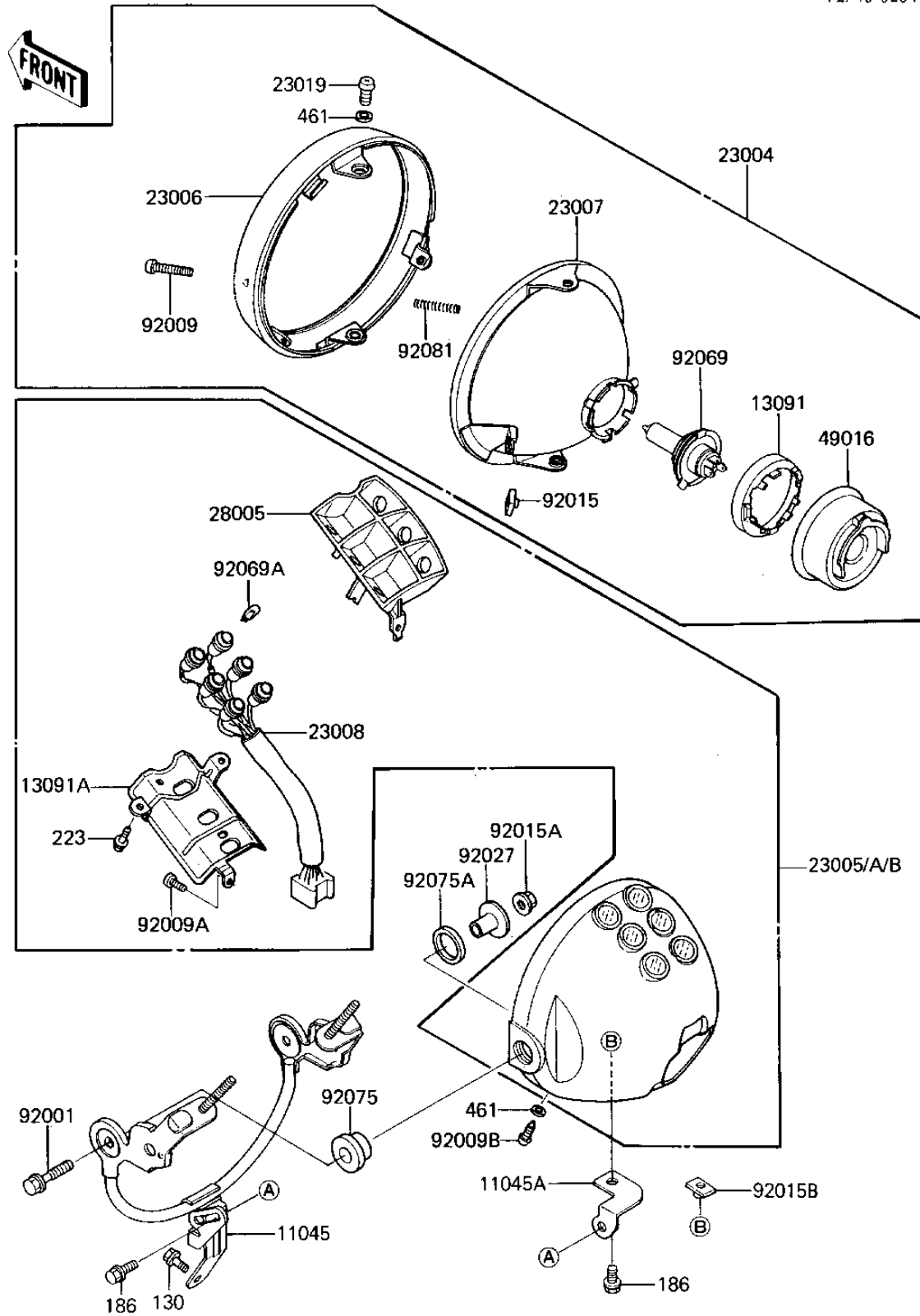


1986 ZL600 Eliminator PARTS DIAGRAM

HEADLIGHT

F2710-0261



1986 ZL600 Eliminator PARTS LIST

HEADLIGHT

ITEM NAME	PART NUMBER	QUANTITY
BRACKET,HEAD LAMP STA (Ref # 11045)	11044-1804	1
BRACKET,HEAD LAMP,LWR (Ref # 11045A)	11044-1915	1
HOLDER (Ref # 13091)	13091-1386	1
HOLDER (Ref # 13091A)	13091-1387	1
LAMP-HEAD (Ref # 23004)	23004-1188	1
BODY-COMP-HEAD LAMP,E (Ref # 23005A)	23005-1061-H8	1
BODY-COMP-HEAD LAMP,L (Ref # 23005B)	23005-1061-7V	1
RIM-LAMP (Ref # 23006)	23006-1057	1
LENS-COMP (Ref # 23007)	23007-1136	1
SOCKET-ASSY (Ref # 23008)	23008-1281	1
SCREW,LENS FITTING (Ref # 23019)	23019-031	2
BODY-LAMP (Ref # 28005)	28005-1053	1
COVER-SEAL (Ref # 49016)	49016-1110	1
BOLT,FLANGED,8X35 (Ref # 92001)	92001-1910	2
SCREW (Ref # 92009)	92009-1394	1
SCREW (Ref # 92009A)	92009-1395	1
SCREW-PAN HEAD,5MM (Ref # 92009B)	92011-024	2
NUT ADJUST (Ref # 92015)	23020-012	1
NUT,8M/M (Ref # 92015A)	92015-1014	2
NUT-6MM,HEAD LAMP (Ref # 92015B)	92015-1231	1
COLLAR,HEAD LAMP FITT (Ref # 92027)	92027-1131	2
BULB,12V-60/55W (Ref # 92069)	92069-1002	1
BULB,12V3W T-7 (Ref # 92069A)	92069-1020	6
DAMPER,HEAD LAMP FITT (Ref # 92075)	92075-1109	2
DAMPER,HEAD LAMP FITT (Ref # 92075A)	92075-1110	2
SPRING (Ref # 92081)	92081-1892	1
BOLT,FLANGED,6X10 (Ref # 130)	130N0610	1
BOLT-UPSET-WP (Ref # 186)	186C0614	2
SCREW-PAN-WS-CROS (Ref # 223)	223D0410	2

1986 ZL600 Eliminator PARTS LIST

HEADLIGHT

ITEM NAME	PART NUMBER	QUANTITY
WASHER SPRING 5MM (Ref # 461)	461F0500	4