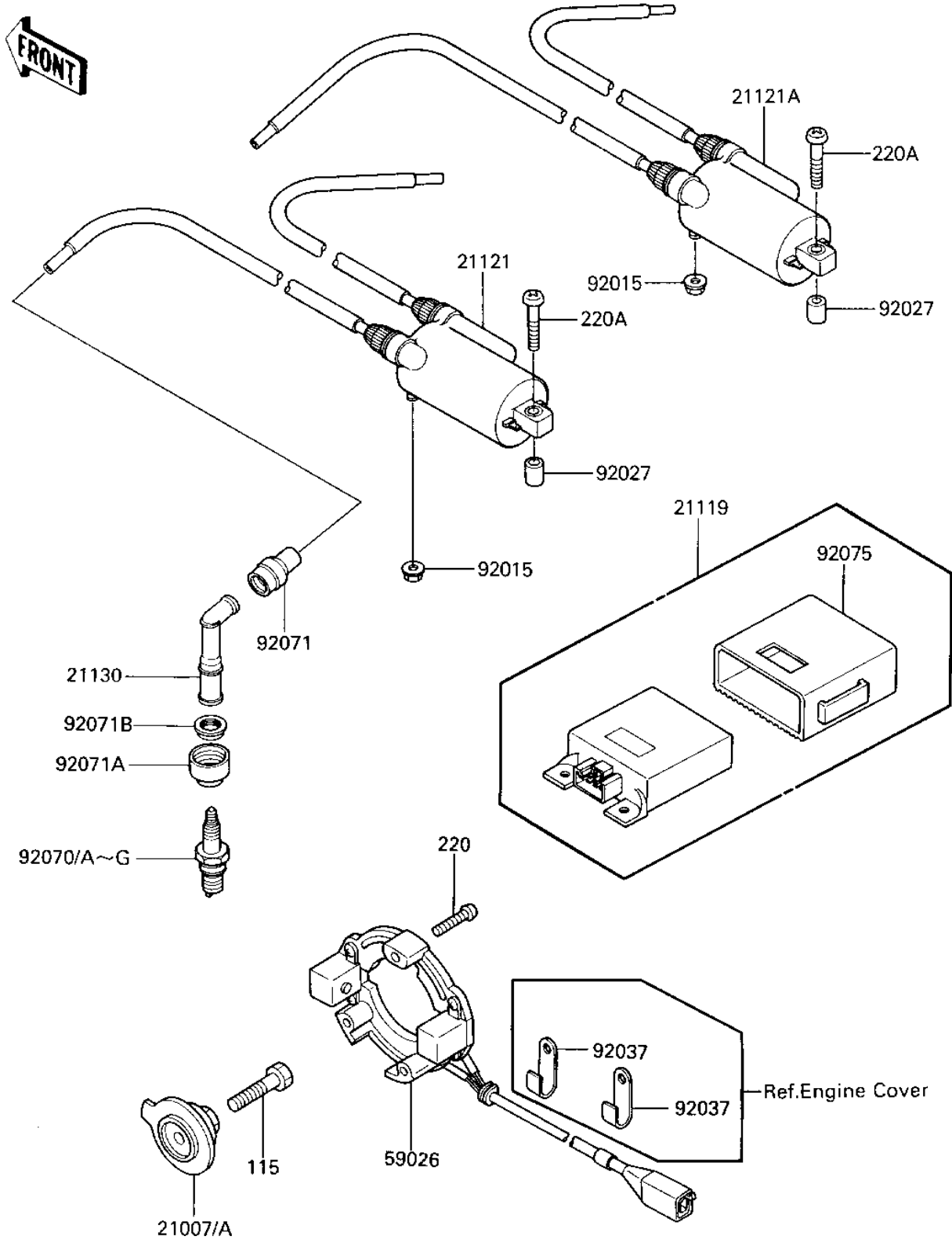


1986 ZL600 Eliminator PARTS DIAGRAM

IGNITION

E1830-0249



1986 ZL600 Eliminator PARTS LIST

IGNITION

ITEM NAME	PART NUMBER	QUANTITY
ROTOR,PULSING COIL (Ref # 21007)	21007-1130	1
ROTOR,PULSING COIL (Ref # 21007A)	21007-1135	1
IGNITER (Ref # 21119)	21119-1167	1
COIL-IGNITION,#1 (Ref # 21121)	21121-1144	1
COIL-IGNITION,#2 (Ref # 21121A)	21121-1145	1
CAP-SPARK PLUG (Ref # 21130)	21130-1057	4
COIL-PULSING (Ref # 59026)	59026-1078	1
NUT-6MM (Ref # 92015)	92015-1078	2
COLLAR,6.3X10X14 (Ref # 92027)	92027-1453	2
CLAMP,WIRING HARNESS (Ref # 92037)	21126-008	2
SPARK PLUG D8EA (Ref # 92070A)	D8EA	4
SPARK PLUG DR8ES (Canada) (Ref # 92070B)	92070-1019	4
UNAVAILABLE IN PRICE BOOK (Ref # 92070D)	92070-1034	4
SPARK PLUG DR8ES-L (Canada) (Ref # 92070G)	92070-1116	4
GROMMET,HIGH TENSION (Ref # 92071)	21131-005	4
GROMMET,PLUG CAP (Ref # 92071A)	92071-1124	4
GROMMET (Ref # 92071B)	92071-1144	4
DAMPER,IGNITER (Ref # 92075)	92075-1504	1
BOLT,SMALL UPSET (Ref # 115)	115G0835	1
SCREW-PAN-CROS,5X25 (Ref # 220)	220B0525	3
SCREW PAN HEAD 6X35 (Ref # 220A)	220B0635	2