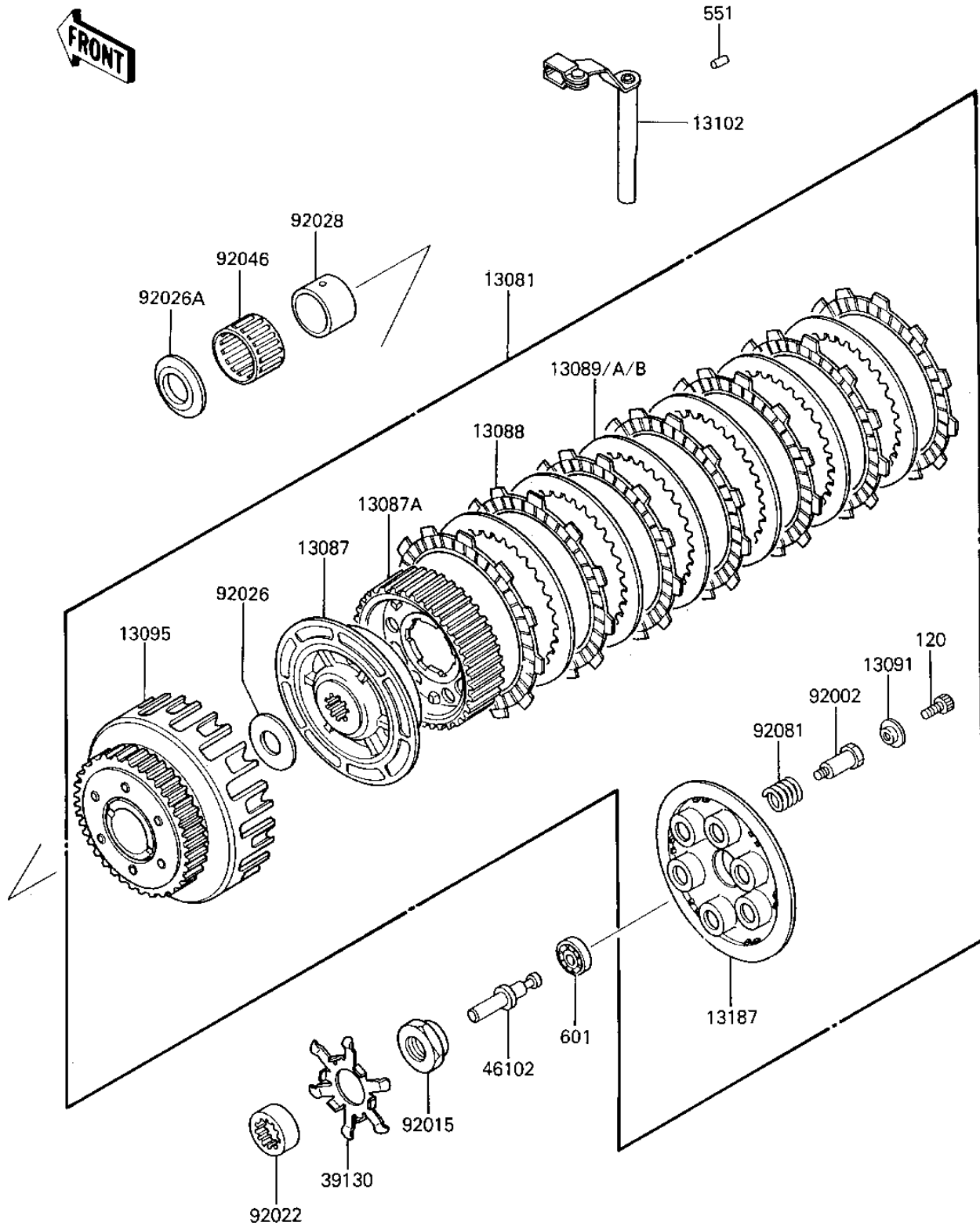


# 1986 ZL600 Eliminator PARTS DIAGRAM

CLUTCH

E1350-0133



# 1986 ZL600 Eliminator PARTS LIST

## CLUTCH

ITEM NAME	PART NUMBER	QUANTITY
CLUTCH-ASSY (Ref # 13081)	13081-1227	1
HUB-CLUTCH (Ref # 13087)	13087-1079	1
HUB-CLUTCH (Ref # 13087A)	13087-1080	1
PLATE,CLUTCH FRICTION (Ref # 13088)	13088-040	7
PLATE,CLUTCH STEEL (Ref # 13089)	13089-026	AR
PLATE,CLUTCH,STEEL (Ref # 13089A)	13089-1004	AR
PLATE-CLUTCH,T=2.6 (Ref # 13089B)	13089-1067	AR
HOLDER,CLUTCH,SPRING (Ref # 13091)	13091-1041	6
HOUSING-COMP-CLUTCH (Ref # 13095)	13095-1128	1
RELEASE-COMP-CLUTCH (Ref # 13102)	13102-1080	1
PLATE-CLUTCH OPERATIN (Ref # 13187)	13187-1058	1
SPRING-LEAF (Ref # 39130)	39130-1063	1
ROD (Ref # 46102)	46102-1030	1
BOLT,CLUTCH (Ref # 92002)	92002-1639	6
NUT (Ref # 92015)	92015-1538	1
WASHER,TOOTHED,21.7X3 (Ref # 92022)	92022-1782	1
WASHER TH 25.5X47X2.5 (Ref # 92026)	92026-022	1
SPACER,THRUST,T=5.5MM (Ref # 92026A)	92026-116	1
BUSHING,CLUTCH (Ref # 92028)	92028-178	1
BEARING,KTV323723 (Ref # 92046)	92046-028	1
SPRING,CLUTCH (Ref # 92081)	92081-1114	6
BOLT-SOCKET,6X16,BLAC (Ref # 120)	120S0616	6
PIN DOWEL 3X12 (Ref # 551)	551A0312	1
BEARING-BALL (Ref # 601)	92045-1235	1