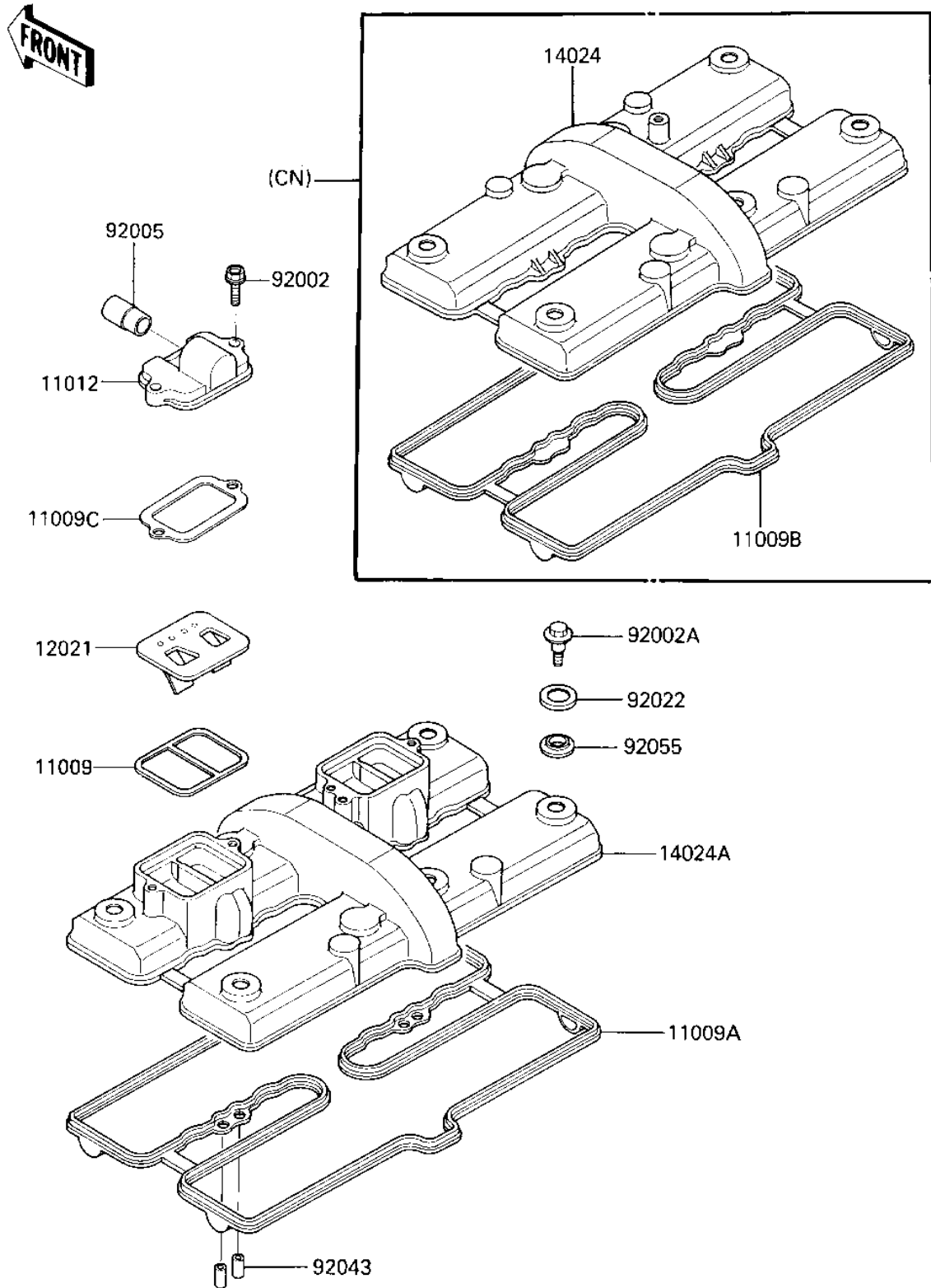


1986 ZL600 Eliminator PARTS DIAGRAM

CYLINDER HEAD COVER

E1112-0088



1986 ZL600 Eliminator PARTS LIST

CYLINDER HEAD COVER

ITEM NAME	PART NUMBER	QUANTITY
GASKET, REED VALVE (Ref # 11009)	11009-1905	2
GASKET, CYLINDER HEAD (Ref # 11009A)	11009-1497	1
GASKET, CYLINDER HEAD COVE (Can (Ref # 11009B)	11009-1498	1
GASKET (Ref # 11009C)	11009-1545	2
CAP, REED VALVE (Ref # 11012)	11012-1372	2
VALVE-ASSY-REED (Ref # 12021)	12021-1053	2
COVER, CYLINDER HEAD (Canada) (Ref # 14024)	14024-1161	1
COVER, CYLINDER HEAD (Ref # 14024A)	14024-1219	1
BOLT, 6X22 (Ref # 92002)	92002-1068	4
BOLT (Ref # 92002A)	92150-1447	6
FITTING, REED VALVE (Ref # 92005)	92005-1006	2
WASHER, HEAD COVER BOL (Ref # 92022)	92022-1487	6
PIN, DOWEL, 6.2X8X14 (Ref # 92043)	92043-1263	4
RING-O, HEAD COVER BOL (Ref # 92055)	92055-1225	6