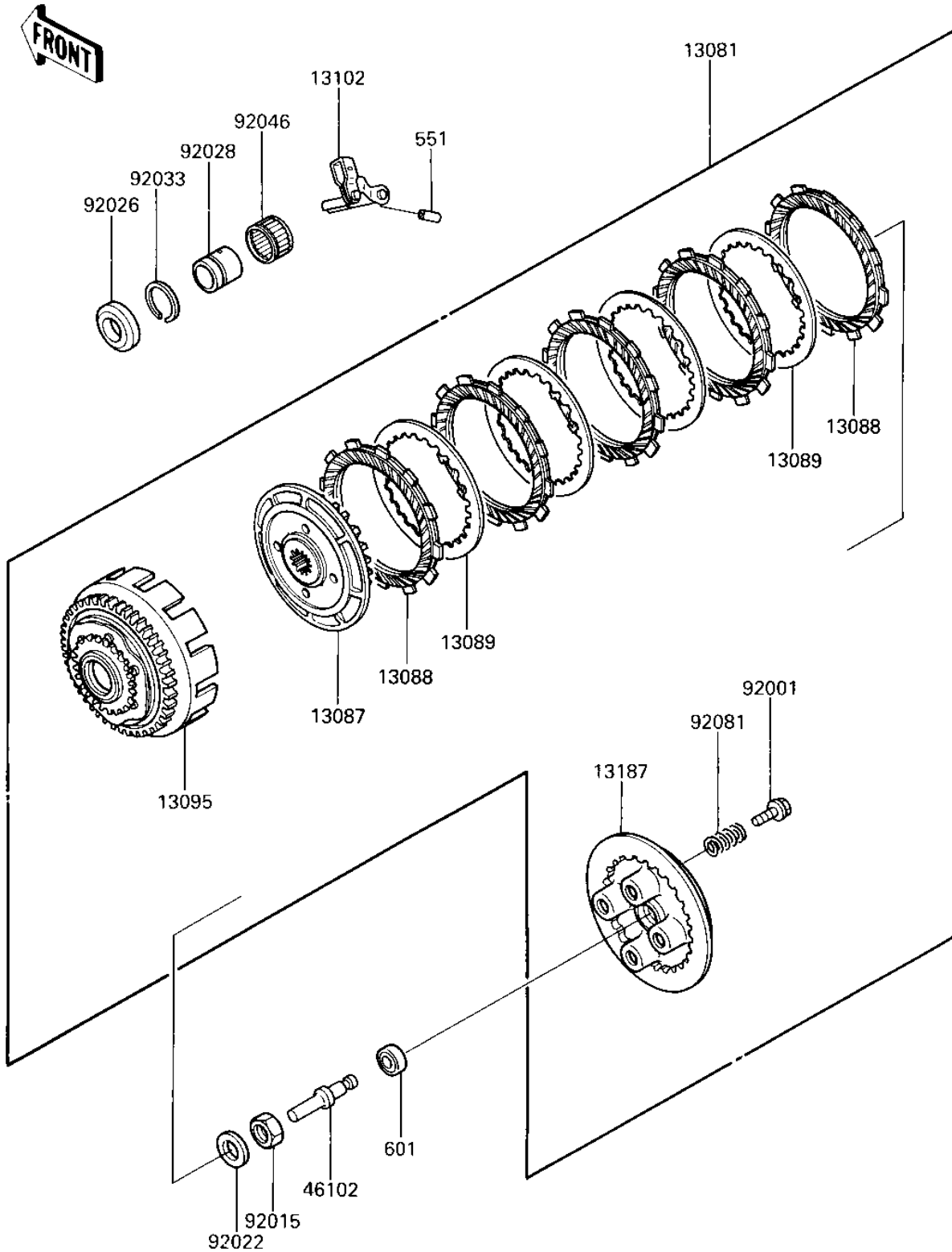


# 1987 Ninja® 250R PARTS DIAGRAM

CLUTCH

E1350-0132



# 1987 Ninja® 250R PARTS LIST

## CLUTCH

ITEM NAME	PART NUMBER	QUANTITY
CLUTCH-ASSY (Ref # 13081)	13081-1226	1
HUB-CLUTCH (Ref # 13087)	13087-1076	1
PLATE-FRICTION (Ref # 13088)	13088-1013	5
PLATE,CLUTCH STEEL (Ref # 13089)	13089-026	4
HOUSING-COMP-CLUTCH (Ref # 13095)	13095-1145	1
RELEASE-COMP-CLUTCH (Ref # 13102)	13102-1079	1
PLATE-CLUTCH OPERATIN (Ref # 13187)	13187-1057	1
ROD (Ref # 46102)	46102-1030	1
BOLT,CLUTCH SPR FITT (Ref # 92001)	92001-1066	4
NUT 20MM (Ref # 92015)	92016-028	1
WASHER,PLAIN,2.3X20.3 (Ref # 92022)	92022-1116	1
SPACER,THRUST,T=5.5MM (Ref # 92026)	92026-116	1
BUSHING,CLUTCH (Ref # 92028)	92028-1414	1
RING-SNAP (Ref # 92033)	92033-1212	1
BEARING,KTV323723 (Ref # 92046)	92046-028	1
SPRING,CLUTCH (Ref # 92081)	92081-139	4
PIN DOWEL 3X12 (Ref # 551)	551A0312	1
BEARING-BALL (Ref # 601)	92045-1235	1