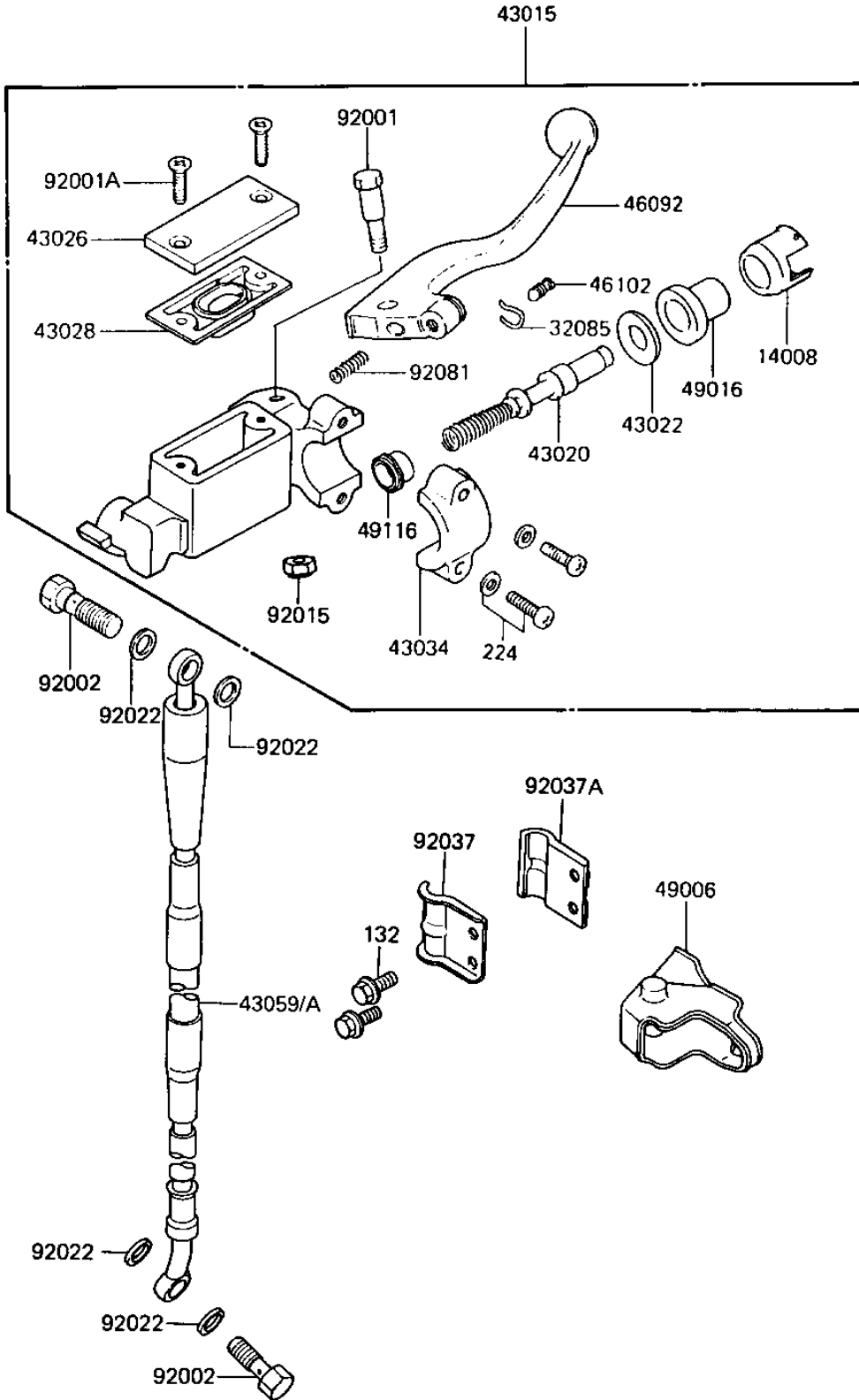


## 1986 KX80 PARTS DIAGRAM

FRONT MASTER CYLINDER

F2291-0158



- 1
- 2
- 3
- 4
- 5
- 6
- 7
- 8
- 9
- 10
- 11
- 12
- 13
- 14
- 15
- 16
- 17
- 18
- 19
- 20
- 21
- 22
- 23
- 24
- 25
- 26
- 27
- 28
- 29
- 30
- 31
- 32
- 33
- 34
- 35
- 36
- 37
- 38
- 39
- 40
- 41
- 42
- 43
- 44
- 45
- 46
- 47
- 48
- 49
- 50
- 51
- 52
- 53
- 54
- 55
- 56
- 57
- 58
- 59
- 60
- 61
- 62
- 63
- 64
- 65
- 66
- 67
- 68
- 69
- 70
- 71
- 72
- 73
- 74
- 75
- 76
- 77
- 78
- 79
- 80
- 81
- 82
- 83
- 84
- 85
- 86
- 87
- 88
- 89
- 90
- 91
- 92
- 93
- 94
- 95
- 96
- 97
- 98
- 99
- 100

## 1986 KX80 PARTS LIST

### FRONT MASTER CYLINDER

ITEM NAME	PART NUMBER	QUANTITY
LINER (Ref # 14008)	14008-1030	1
STOPPER,BRAKE LEVER R (Ref # 32085)	32085-1087	1
CYLINDER-ASSY-MASTER (Ref # 43015)	43015-1281	1
PISTON-COMP-BRAKE (Ref # 43020)	43020-1021	1
STOPPER-BRAKE (Ref # 43022)	43022-1008	1
CAP-BRAKE (Ref # 43026)	43026-1019	1
DIAPHRAGM (Ref # 43028)	43028-1030	1
HOLDER-BRAKE (Ref # 43034)	43034-1012	1
HOSE-BRAKE (Ref # 43059)	43059-1316	1
LEVER-GRIP,BRAKE (Ref # 46092)	46092-1108	1
ROD,BRAKE LEVER ADJUS (Ref # 46102)	46102-1120	1
BOOT,BRAKE LEVER (Ref # 49006)	49006-1090	1
COVER-SEAL (Ref # 49016)	49016-1035	1
VALVE-ASSY,MASTER CYL (Ref # 49116)	49116-1057	1
BOLT,6X37.3,BLACK (Ref # 92001)	92001-1512	1
SCREW-COUNTERSUNK (Ref # 92001A)	92001-1532	1
BOLT,OIL,L=23 (Ref # 92002)	92002-1888	1
NUT,LOCK,6MM,BLACK (Ref # 92015)	92015-1191	1
WASHER-OIL BOLT (Ref # 92022)	43067-001	1
CLAMP,BRAKE HOSE,OUTS (Ref # 92037)	92037-1362	1
CLAMP,BRAKE HOSE,INSI (Ref # 92037A)	92037-1363	1
SPRING,BRAKE LEVER (Ref # 92081)	92081-1428	1
BOLT-FLANGED-SMALL (Ref # 132)	132G0616	1
SCREW-PAN-WP-CROS (Ref # 224)	224B0625	1