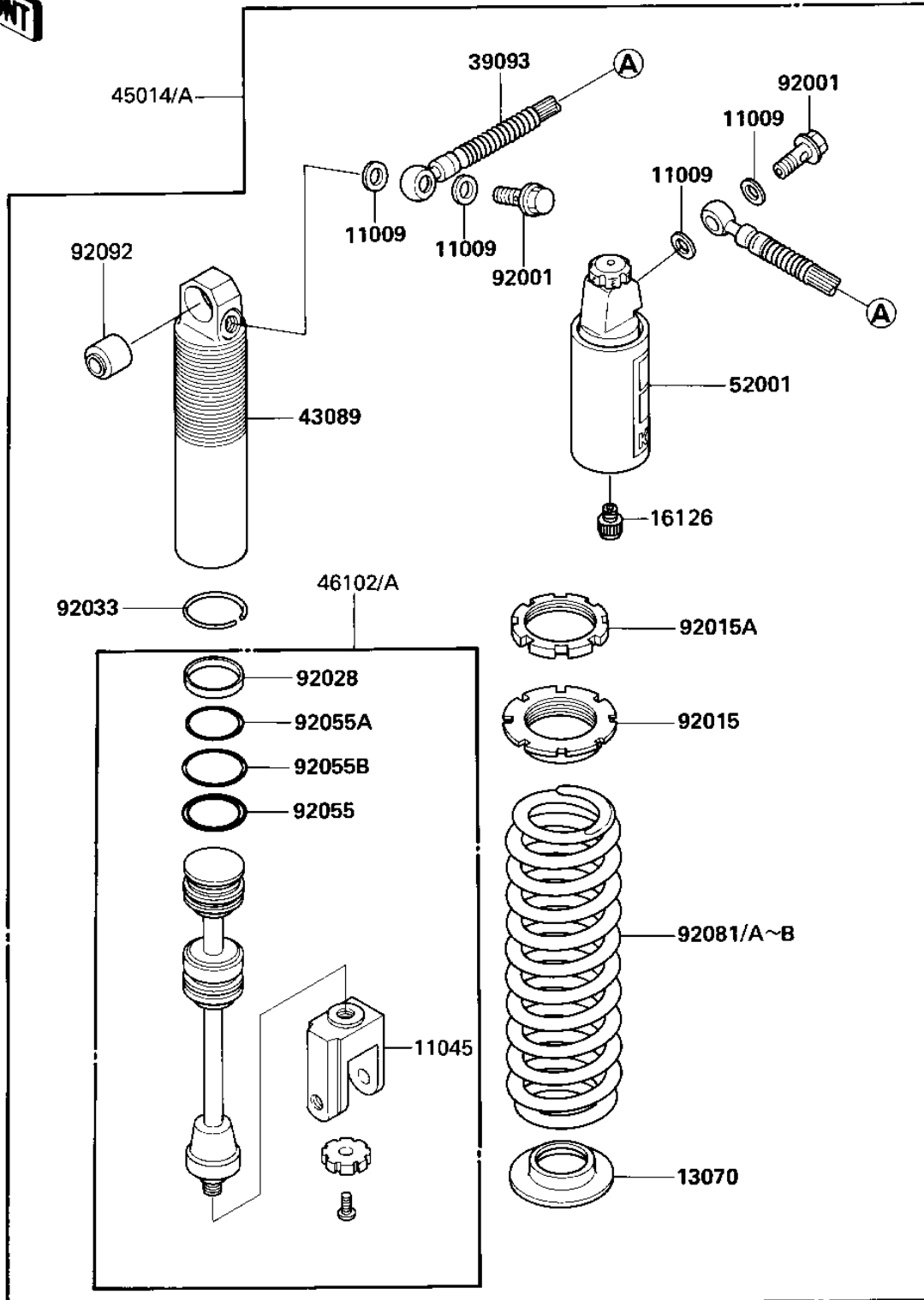


## 1987 KX80 PARTS DIAGRAM

SHOCK ABSORBER

F2280-0031



1  
1  
1  
1  
3  
4  
4  
4  
4  
4  
5  
9  
9  
9  
9  
9  
9  
9  
9  
9  
9  
9

## 1987 KX80 PARTS LIST

### SHOCK ABSORBER

ITEM NAME	PART NUMBER	QUANTITY
GASKET,FORK CYLINDER (Ref # 11009)	44045-057	1
BRACKET (Ref # 11045)	11045-1409	1
GUIDE (Ref # 13070)	13070-1153	1
VALVE,AIR (Ref # 16126)	16126-1118	1
PIPE-COMP-SUSP (Ref # 39093)	39093-1110	1
CYLINDER-SHOCKABSORBE (Ref # 43089)	43089-1113	1
SHOCKABSORBER (Ref # 45014A)	45014-1350	1
ROD,SHOCKABSORBER (Ref # 46102A)	46102-1194	1
TANK-OIL (Ref # 52001)	52001-1066	1
BOLT,PIPE-COMP-SUSP (Ref # 92001)	92001-1752	1
NUT (Ref # 92015)	92015-1577	1
NUT (Ref # 92015A)	92015-1578	1
BUSHING (Ref # 92028)	92028-1412	1
RING-SNAP (Ref # 92033)	92033-1211	1
RING-O (Ref # 92055)	92055-1334	1
RING-O (Ref # 92055A)	92055-1335	1
RING-O (Ref # 92055B)	92055-1336	1
SPRING (Ref # 92081)	92081-1969	1
SPRING (Ref # 92081A)	92081-1975	1
SPRING (Ref # 92081B)	92081-1977	1
BUSHING-RUBBER,SHOCKA (Ref # 92092)	92092-1016	1