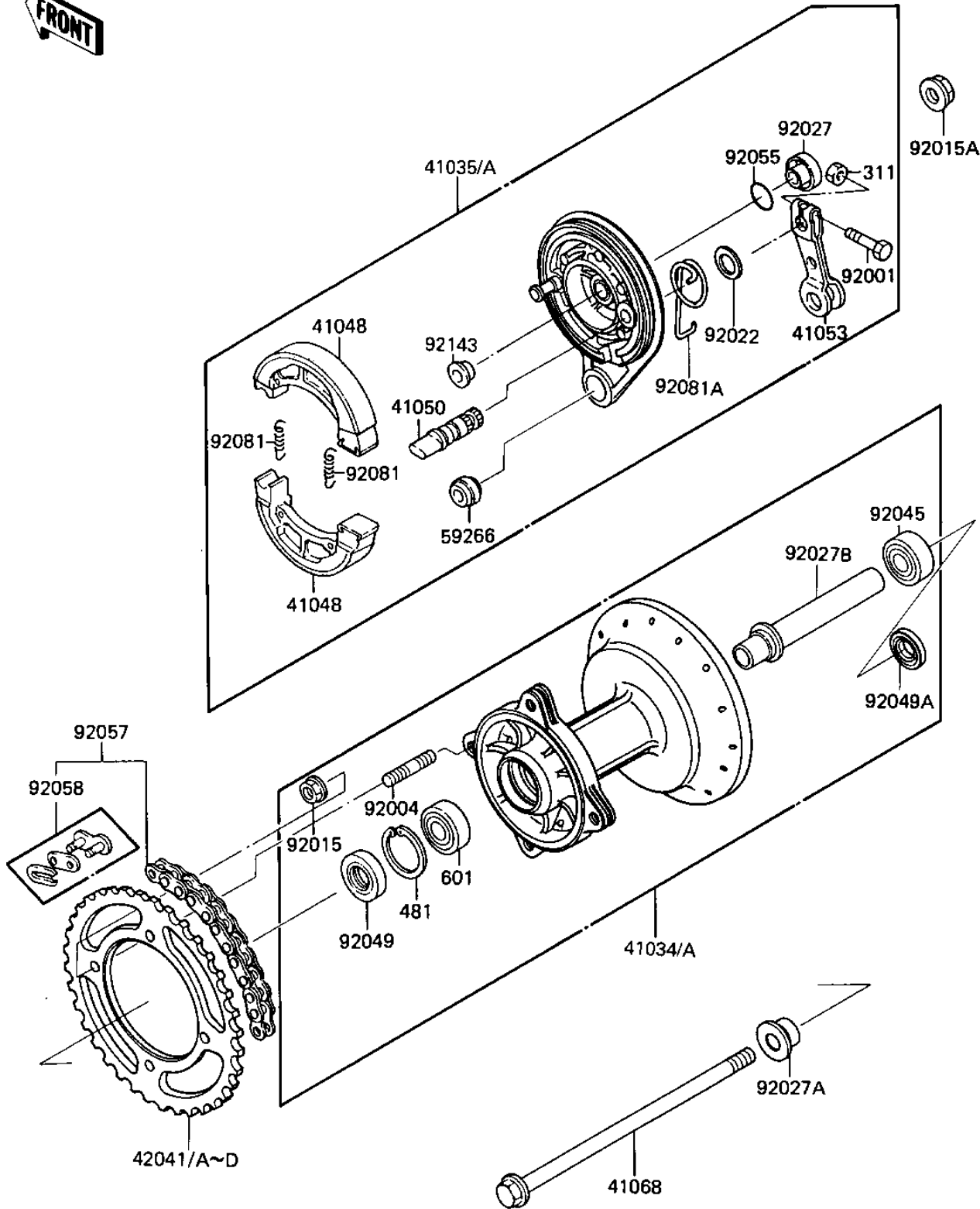


1986 KX80 PARTS DIAGRAM

REAR HUB/BRAKE/CHAIN

F 2240-0182



1986 KX80 PARTS LIST

REAR HUB/BRAKE/CHAIN

| ITEM NAME | PART NUMBER | QUANTITY |
|--------------------------------------|-------------|----------|
| DRUM-ASSY,REAR BRAKE (Ref # 41034) | 41034-1151 | 1 |
| PANEL-ASSY-BRAKE,RR (Ref # 41035) | 41035-1195 | 1 |
| SHOE-BRAKE (Ref # 41048) | 41048-1083 | 1 |
| CAM-BRAKE,RR (Ref # 41050) | 41050-1061 | 1 |
| LEVER-BRAKE CAM (Ref # 41053) | 41053-1062 | 1 |
| AXLE,RR (Ref # 41068) | 41068-1201 | 1 |
| SPROCKET-HUB,49T (Ref # 42041) | 42041-1207 | 1 |
| SPROCKET-HUB,47T (Ref # 42041A) | 42041-1226 | 1 |
| SPROCKET-HUB,48T (Ref # 42041B) | 42041-1227 | 1 |
| SPROCKET-HUB,50T (Ref # 42041C) | 42041-1228 | 1 |
| SPROCKET-HUB,51T (Ref # 42041D) | 42041-1229 | 1 |
| JOINT-BALL,BRAKE PANE (Ref # 59266) | 59266-1013 | 1 |
| BOLT,5X25 (Ref # 92001) | 92001-1695 | 1 |
| STUD,8X16 (Ref # 92004) | 92004-1053 | 1 |
| NUT-8MM (Ref # 92015) | 92015-1022 | 1 |
| NUT-12MM (Ref # 92015A) | 92015-1156 | 1 |
| WASHER,13X26X0.5 (Ref # 92022) | 92022-1715 | 1 |
| COLLAR,BRAKE PANEL,RH (Ref # 92027) | 92027-1542 | 1 |
| COLLAR,REAR AXLE,14.5 (Ref # 92027A) | 92027-1813 | 1 |
| COLLAR,L=113.5 (Ref # 92027B) | 92027-1927 | 1 |
| BEARING-BALL,TMB201LL (Ref # 92045) | 92045-1062 | 1 |
| SEAL-OIL,DD20377 (Ref # 92049) | 92049-1096 | 1 |
| SEAL-OIL,DC25323.5 (Ref # 92049A) | 92049-1232 | 1 |
| "O" RING (Ref # 92055) | 92055-104 | 1 |
| CHAIN,DRIVE DID420MX1 (Ref # 92057) | 92057-1173 | 1 |
| JOINT-CHAIN (Ref # 92058) | 92058-1053 | 1 |
| SPRING,BRAKE SHOE (Ref # 92081) | 92081-1766 | 1 |
| SPRING,BRAKE CAM LEVE (Ref # 92081A) | 92081-1897 | 1 |
| COLLAR (Ref # 92143) | 92143-1022 | 1 |

1986 KX80 PARTS LIST

REAR HUB/BRAKE/CHAIN

| ITEM NAME | PART NUMBER | QUANTITY |
|-------------------------------------|-------------|----------|
| NUT-HEX (Ref # 311) | 311G0500 | 1 |
| CIRCLIP.37MM (Ref # 481) | 481J3700 | 1 |
| BEARING-BALL, #6201UUC3 (Ref # 601) | 601B6301UU | 1 |