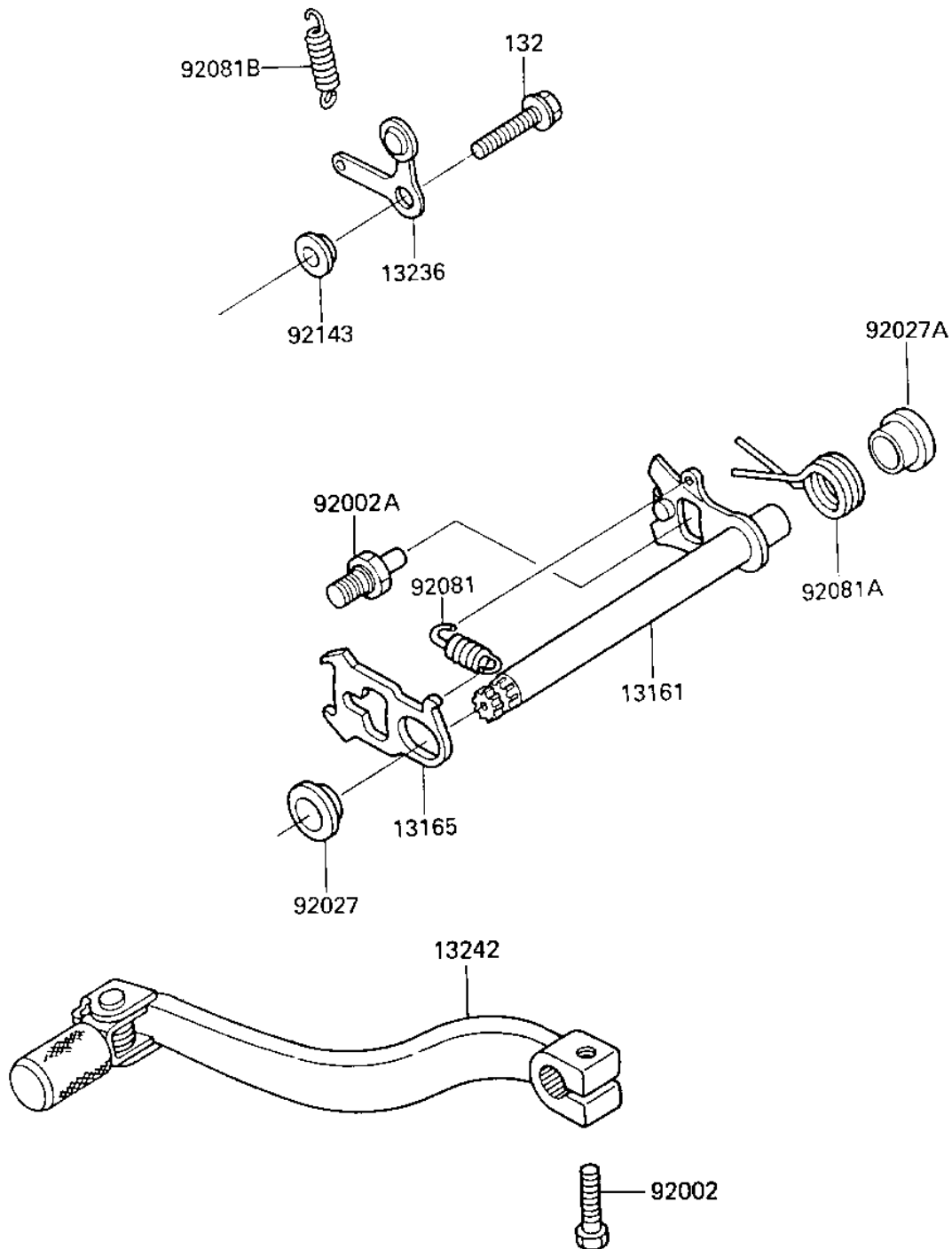


## 1987 KX80 PARTS DIAGRAM

GEAR CHANGE MECHANISM

E1370-0157



## 1987 KX80 PARTS LIST

### GEAR CHANGE MECHANISM

ITEM NAME	PART NUMBER	QUANTITY
LEVER-COMP-CHANGE SHA (Ref # 13161)	13161-1126	1
PAWL,CHANGE LEVER (Ref # 13165)	13165-1114	1
LEVER-COMP,POSITION (Ref # 13236)	13236-1152	1
LEVER-ASSY-CHANGE,PED (Ref # 13242)	13242-1205	1
BOLT,6X20 (Ref # 92002)	92002-1237	1
BOLT,8X15 (Ref # 92002A)	92002-1601	1
COLLAR (Ref # 92027)	92027-1939	1
COLLAR (Ref # 92027A)	92027-1940	1
SPRING-CHANGE LEVER (Ref # 92081)	92081-076	1
SPRING,CHANGE SHAFT R (Ref # 92081A)	92081-1716	1
SPRING,CHNG DRUM LEV (Ref # 92081B)	92083-012	1
COLLAR (Ref # 92143)	92143-1055	1
BOLT-FLANGED-SMALL (Ref # 132)	132G0616	1