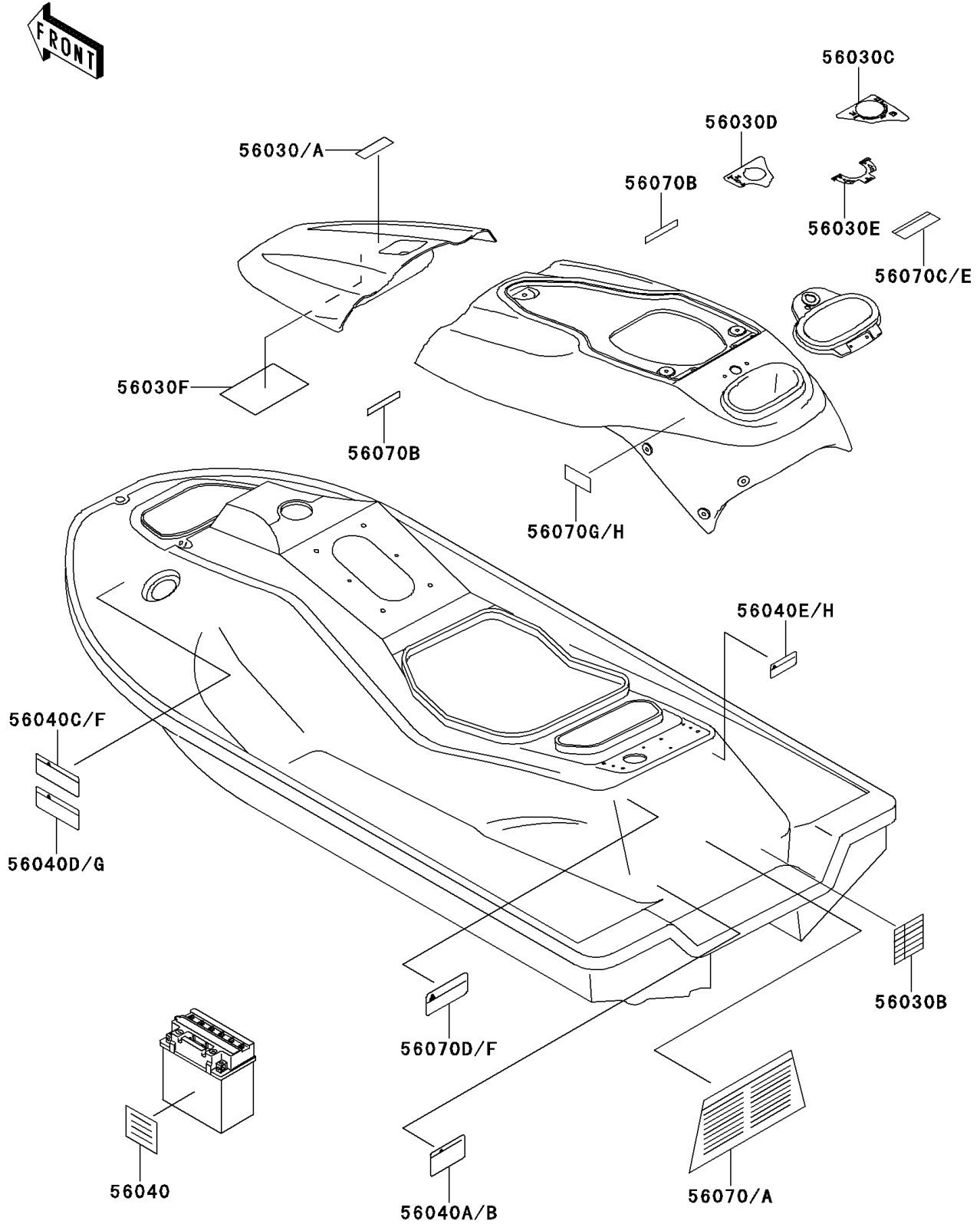


# 1996 900 ZXi PARTS DIAGRAM

Labels

F3183



# 1996 900 ZXi PARTS LIST

## Labels

ITEM NAME	PART NUMBER	QUANTITY
LABEL,FIRE EXTINGUISHER (Ref # 56030)	56030-3755	1
LABEL,FUEL TAP (Ref # 56030C)	56030-3804	1
LABEL,CHOKE (Ref # 56030D)	56030-3805	1
LABEL,CENTER STORAGE LOCK (Ref # 56030E)	56030-3806	1
LABEL,HATCH COVER (Ref # 56030F)	56030-3807	1
LABEL-WARNING,NOZZLE (Ref # 56040A)	56040-3898	1
LABEL-WARNING,BREAK-IN (Ref # 56040C)	56040-3969	1
LABEL-WARNING,GASOLINE (Ref # 56040D)	56040-3972	1
LABEL-WARNING,GRAB HANDLE (Ref # 56040E)	56040-3973	1
LABEL-WARNING,IMPORTANT SAFETY (Ref # 56070)	56070-3743	1
LABEL-WARNING,MIRROR (Ref # 56070B)	56070-3764	2
LABEL-WARNING,MAIN SWITCH (Ref # 56070C)	56070-3769	1
LABEL-WARNING,OVER HEAT (Ref # 56070F)	56070-3777	1
LABEL-WARNING,TETHER SWITCH (Ref # 56070G)	56070-3787	1
LABEL,FIRE EXTINGUISHER(FRENCH (Ref # 56030A)	56030-3757	1
LABEL,ENGLISH/FRENCH(FRENCH) (Ref # 56030B)	56030-3785	1
LABEL,BATTERY CAUTION(FRENCH) (Ref # 56040)	56040-1106	1
LABEL-WARNING,NOZZLE(FRENCH) (Ref # 56040B)	56040-3916	1
LABEL,BREAK-IN(FRENCH) (Ref # 56040F)	56040-3975	1
LABEL,GASOLINE(FRENCH) (Ref # 56040G)	56040-3978	1
LABEL,GRAB HANDLE(FRENCH) (Ref # 56040H)	56040-3979	1
LABEL,IMPORTANT SAFETY(FRENCH) (Ref # 56070A)	56070-3744	1
LABEL-WARNING,OVER HEAT(FRENCH (Ref # 56070D)	56070-3770	1
LABEL-WARNING,MAIN SWITCH(FREN (Ref # 56070E)	56070-3771	1
LABEL,TETHER SWITCH(FRENCH) (Ref # 56070H)	56070-3802	1