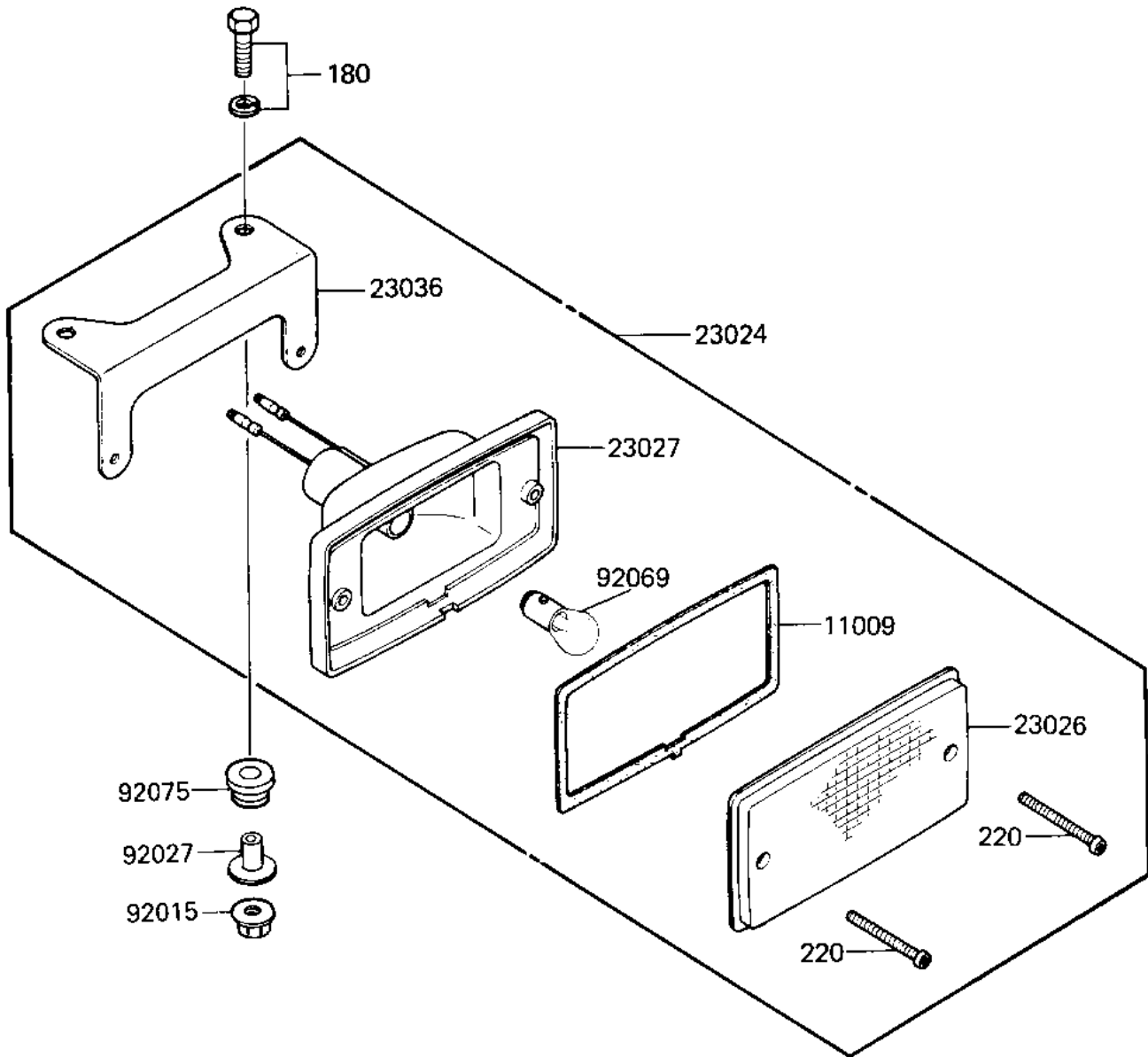


1987 KLT185 PARTS DIAGRAM

TAILLIGHT

F2720-0168



1987 KLT185 PARTS LIST

TAILLIGHT

ITEM NAME	PART NUMBER	QUANTITY
GASKET (Ref # 11009)	11009-4004	1
LAMP-ASSY-TAIL (Ref # 23024)	23024-4002	1
LENS,TAIL LAMP (Ref # 23026)	23026-4003	1
BODY-COMP-TAIL LAMP (Ref # 23027)	23027-4001	1
BRACKET-TAIL LAMP (Ref # 23036)	23036-4004	1
NUT-6MM (Ref # 92015)	92015-1078	2
COLLAR (Ref # 92027)	92027-1045	2
BULB,12V 4CP (Ref # 92069)	92069-1012	1
DAMPER RUBBER (Ref # 92075)	92075-277	2
BOLT-UPSET-WS (Ref # 180)	180C0622	2
SCREW-PAN-CROS (Ref # 220)	220B0420	2