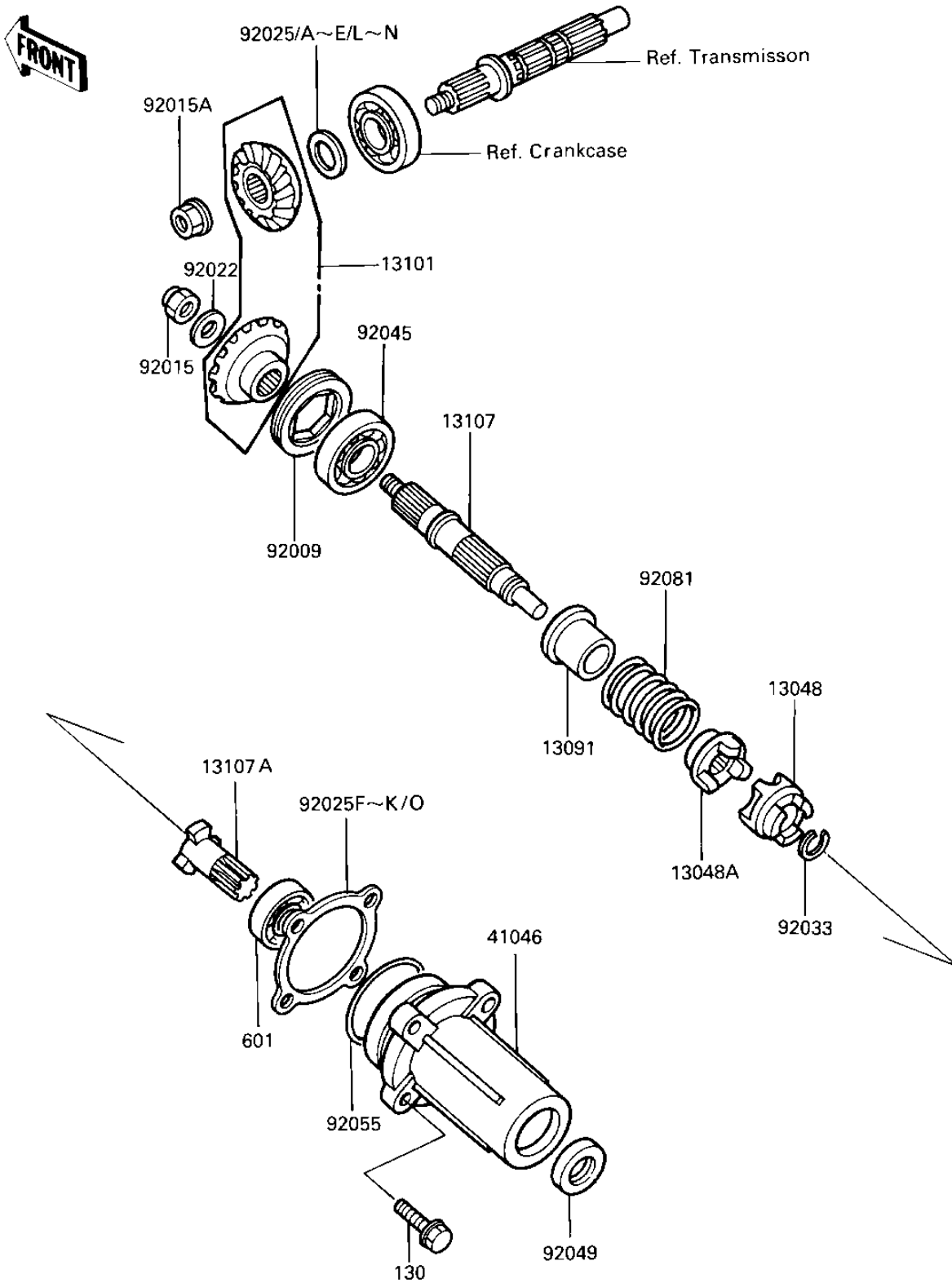


## 1987 KLT185 PARTS DIAGRAM

FRONT BEVEL GEARS

E3131 0008



## 1987 KLT185 PARTS LIST

### FRONT BEVEL GEARS

| ITEM NAME                           | PART NUMBER | QUANTITY |
|-------------------------------------|-------------|----------|
| CAM-DAMPER (Ref # 13048)            | 13048-1053  | 1        |
| CAM-DAMPER (Ref # 13048A)           | 13048-1054  | 1        |
| HOLDER (Ref # 13091)                | 13091-1278  | 1        |
| GEAR-ASSY,FRONT BEVEL (Ref # 13101) | 13101-5047  | 1        |
| SHAFT,BEVEL GEAR,FR (Ref # 13107)   | 13107-1109  | 1        |
| SHAFT,BEVEL GEAR,RR (Ref # 13107A)  | 13107-1110  | 1        |
| HOUSING-BEARING (Ref # 41046)       | 41046-1051  | 1        |
| SCREW (Ref # 92009)                 | 92009-1290  | 1        |
| NUT,12MM (Ref # 92015)              | 92015-1182  | 1        |
| NUT,FLANGED,14MM (Ref # 92015A)     | 92015-1341  | 1        |
| WASHER (Ref # 92022)                | 92022-1611  | 1        |
| SHIM,20.3X28X1.3 (Ref # 92025)      | 92025-1533  | 1        |
| SHIM,20.3X28X0.7 (Ref # 92025A)     | 92025-1534  | 1        |
| SHIM,20.3X28X0.8 (Ref # 92025B)     | 92025-1535  | 1        |
| SHIM,20.3X28X0.9 (Ref # 92025C)     | 92025-1536  | 1        |
| SHIM,20.3X28X1.0 (Ref # 92025D)     | 92025-1537  | 1        |
| SHIM,20.3X28X1.2 (Ref # 92025E)     | 92025-1538  | 1        |
| SHIM,T=0.1 (Ref # 92025F)           | 92025-1539  | 1        |
| SHIM,T=0.7 (Ref # 92025G)           | 92025-1540  | 1        |
| SHIM,T=0.8 (Ref # 92025H)           | 92025-1541  | 1        |
| SHIM,T=0.9 (Ref # 92025I)           | 92025-1542  | 1        |
| SHIM,T=1.0 (Ref # 92025J)           | 92025-1543  | 1        |
| SHIM,T=1.2 (Ref # 92025K)           | 92025-1544  | 1        |
| SHIM,20.3X28X0.15 (Ref # 92025L)    | 92025-1573  | 1        |
| SHIM,20.3X28X0.20 (Ref # 92025M)    | 92025-1574  | 1        |
| SHIM,20.3X28X1.1 (Ref # 92025N)     | 92025-1575  | 1        |
| SHIM,T=0.15 (Ref # 92025O)          | 92025-1576  | 1        |
| RING,SNAP (Ref # 92033)             | 92033-1060  | 1        |
| BEARING-BALL,TMB304CC (Ref # 92045) | 92045-1142  | 1        |

## 1987 KLT185 PARTS LIST

FRONT BEVEL GEARS

| ITEM NAME                         | PART NUMBER | QUANTITY |
|-----------------------------------|-------------|----------|
| SEAL-OIL (Ref # 92049)            | 92049-1169  | 1        |
| "0" RING,I.D=57.6MM (Ref # 92055) | 92055-1038  | 1        |
| SPRING (Ref # 92081)              | 92081-1647  | 1        |
| BOLT-FLANGED,8X30 (Ref # 130)     | 130P0830    | 1        |
| BEARING BALL #6004 (Ref # 601)    | 601B6004    | 1        |