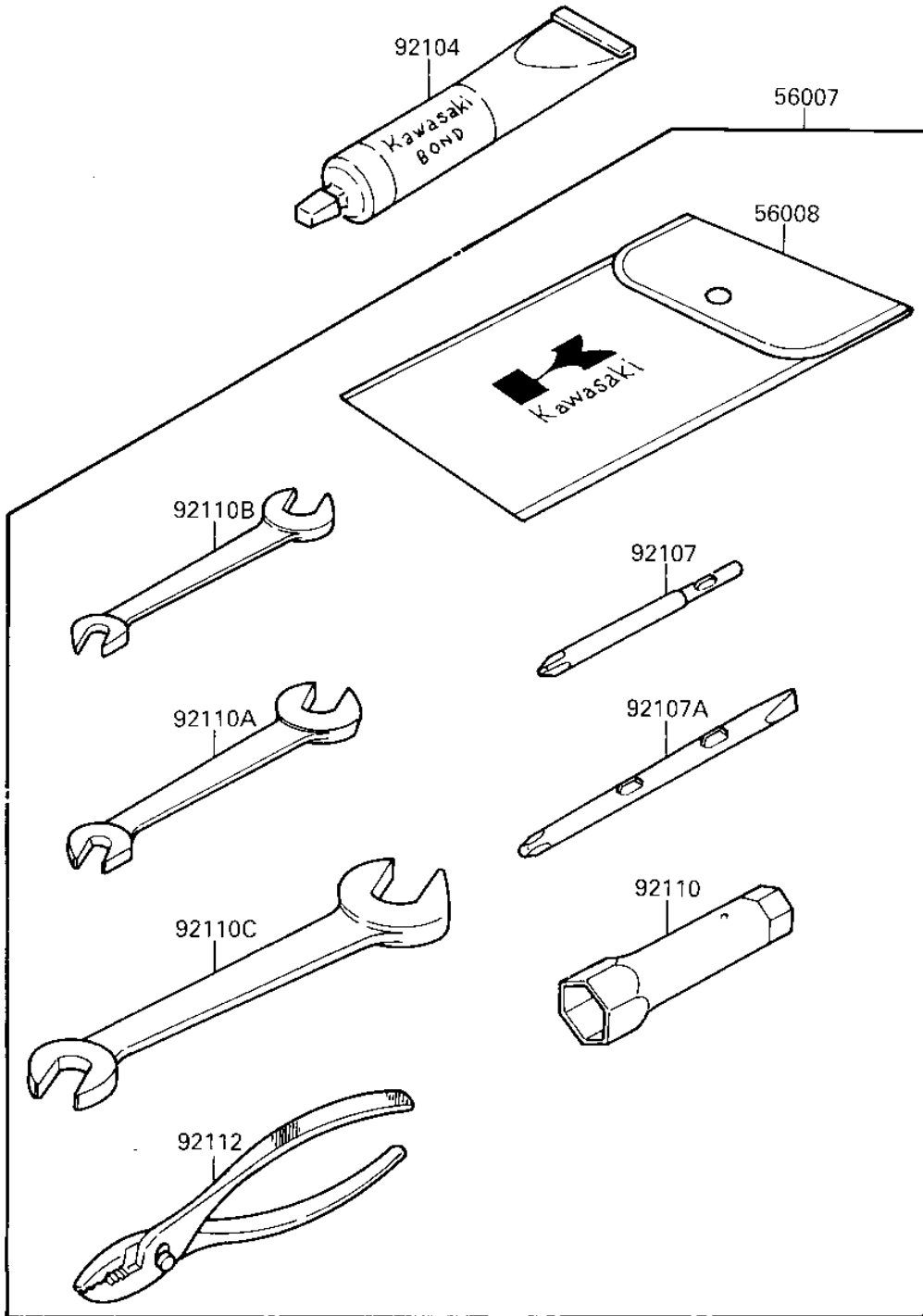


# 1986 X2 PARTS DIAGRAM

OWNER TOOLS

F3182 3/01



# 1986 X2 PARTS LIST

## OWNER TOOLS

ITEM NAME	PART NUMBER	QUANTITY
TOOLKIT (Ref # 56007)	56007-3707	1
BAG,TOOL (Ref # 56008)	56008-1007	1
LIQUID GASKET (Ref # 92104)	92104-002	AR
SCREW DRIVER #3 PHLIP (Ref # 92107)	92107-005	1
92107-1052 (Canada) (Ref # 92107A)	92107-1051	1
TOOL-WRENCH (Ref # 92110)	92110-1113	1
TOOL-WRENCH,OPEN END, (Ref # 92110A)	92110-1152	1
WRENCH,OPEN,8X10 (Ref # 92110B)	92126-001	1
TOOL-WRENCH,OPEN END, (Ref # 92110C)	92110-1153	1
PLIERS,160MM (Ref # 92112)	92112-003	1