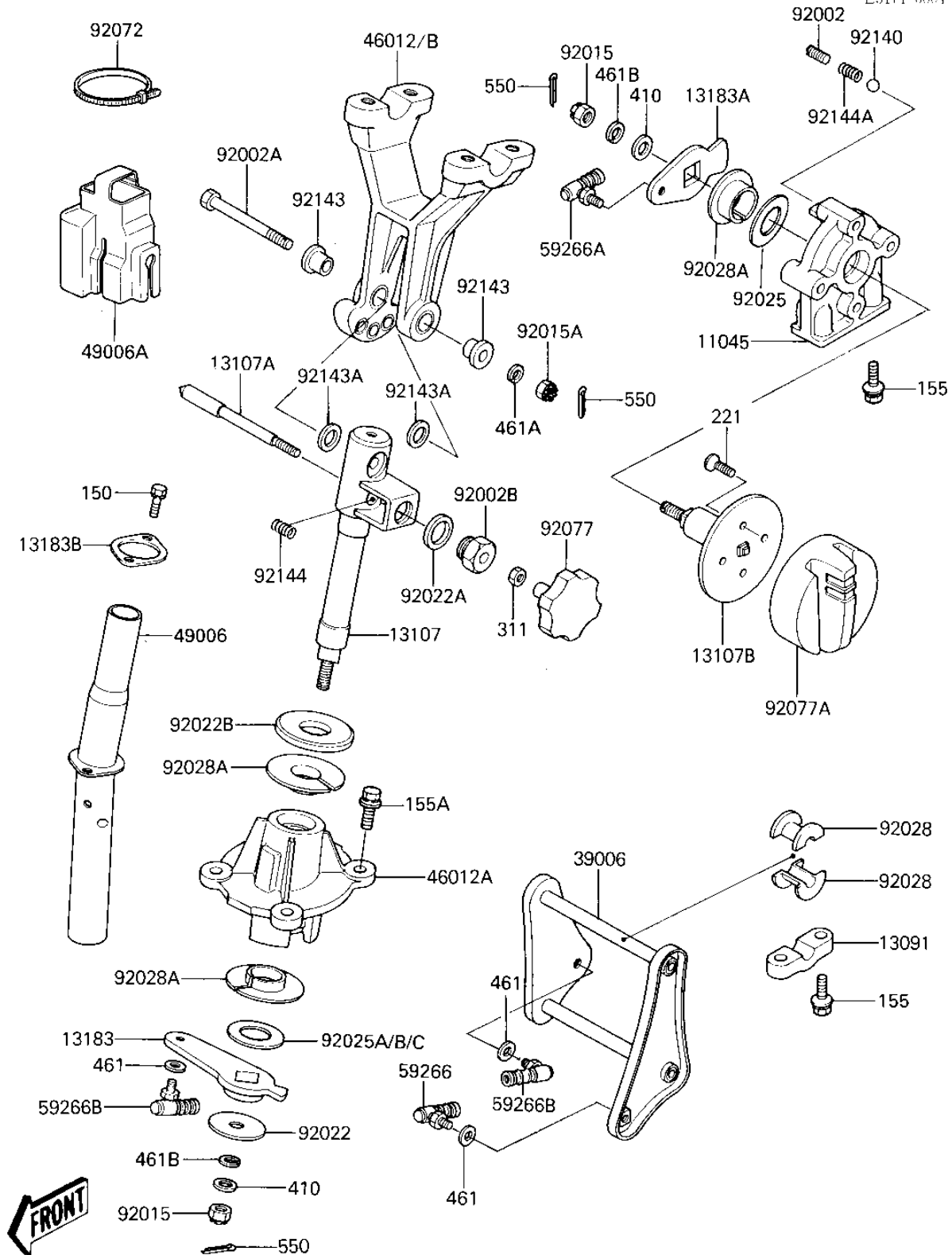


1986 X2 PARTS DIAGRAM

HANDLE POLE (JF650-A1)

E3171 0001



1986 X2 PARTS LIST

HANDLE POLE (JF650-A1)

ITEM NAME	PART NUMBER	QUANTITY
BRACKET (Ref # 11045)	11044-3709	1
HOLDER (Ref # 13091)	13091-3708	2
SHAFT,STEERING (Ref # 13107)	13107-5002	1
SHAFT (Ref # 13107A)	13107-3706	1
SHAFT (Ref # 13107B)	13107-3707	1
PLATE,STEERING (Ref # 13183)	13169-3710	1
PLATE (Ref # 13183A)	13169-3711	1
PLATE,T=2MM (Ref # 13183B)	13169-3712	1
ARM-STRG (Ref # 39006)	39006-3701	1
HOLDER-HANDLE,H=75MM (Ref # 46012)	46012-3702	1
HOLDER-HANDLE (Ref # 46012A)	46012-3703	1
HOLDER-HANDLE,H=115MM (Ref # 46012B)	46012-3709	1
BOOT (Ref # 49006)	49006-3705	1
BOOT (Ref # 49006A)	49006-3707	1
JOINT-BALL (Ref # 59266)	59266-3707	1
JOINT-BALL (Ref # 59266A)	59266-3704	1
JOINT-BALL (Ref # 59266B)	59266-3705	2
SCREW-SET,8X16 (Ref # 92002)	92002-3723	4
BOLT,8X73.5 (Ref # 92002A)	92002-3733	1
BOLT,16X10 (Ref # 92002B)	92002-3734	1
NUT,CASTLE,10MM (Ref # 92015)	92015-3718	2
NUT,CASTLE,8MM (Ref # 92015A)	92015-3719	1
WASHER,10.5X40X4 (Ref # 92022)	92022-3724	1
WASHER,16.5X26X4 (Ref # 92022A)	92022-3727	1
WASHER (Ref # 92022B)	92022-571	1
SHIM,24.5X38X2.0 (Ref # 92025)	92025-3023	1
SHIM,21X40X0.3 (Ref # 92025A)	92025-3712	AR
SHIM,21X40X0.5 (Ref # 92025B)	92025-3713	AR
SHIM,21X40X1.0 (Ref # 92025C)	92025-3714	AR

1986 X2 PARTS LIST

HANDLE POLE (JF650-A1)

ITEM NAME	PART NUMBER	QUANTITY
BUSHING (Ref # 92028)	92028-3715	4
BUSHING (Ref # 92028A)	92028-3722	3
BAND (Ref # 92072)	92072-3509	1
KNOB (Ref # 92077)	92077-3713	1
KNOB (Ref # 92077A)	92077-3706	1
BALL,6.35MM (Ref # 92140)	92140-3703	4
COLLAR,L=18 (Ref # 92143)	92143-3701	2
COLLAR,14.2X20X3.8 (Ref # 92143A)	92143-3703	2
SPRING (Ref # 92144)	92081-3707	1
SPRING (Ref # 92144A)	92144-3708	4
BOLT-WS,5X20 (Ref # 150)	150R0520	2
BOLT-WSP-SMALL,8X30 (Ref # 155)	155R0830	6
BOLT-WSP-SMALL,8X35 (Ref # 155A)	155R0835	4
SCREW-CSK-CROS,5X12 (Ref # 221)	221R0512	4
NUT,6M/M (Ref # 311)	311R0600	1
W-PLAIN-S,10MM (Ref # 410)	410S1000	2
WASHER-SPRING,6MM (Ref # 461)	461S0600	3
WASHER SPRING 8MM (Ref # 461A)	461S0800	1
WASHER-SPRING,10MM (Ref # 461B)	461S1000	2
PIN-COTTER (Ref # 550)	550S2020	3