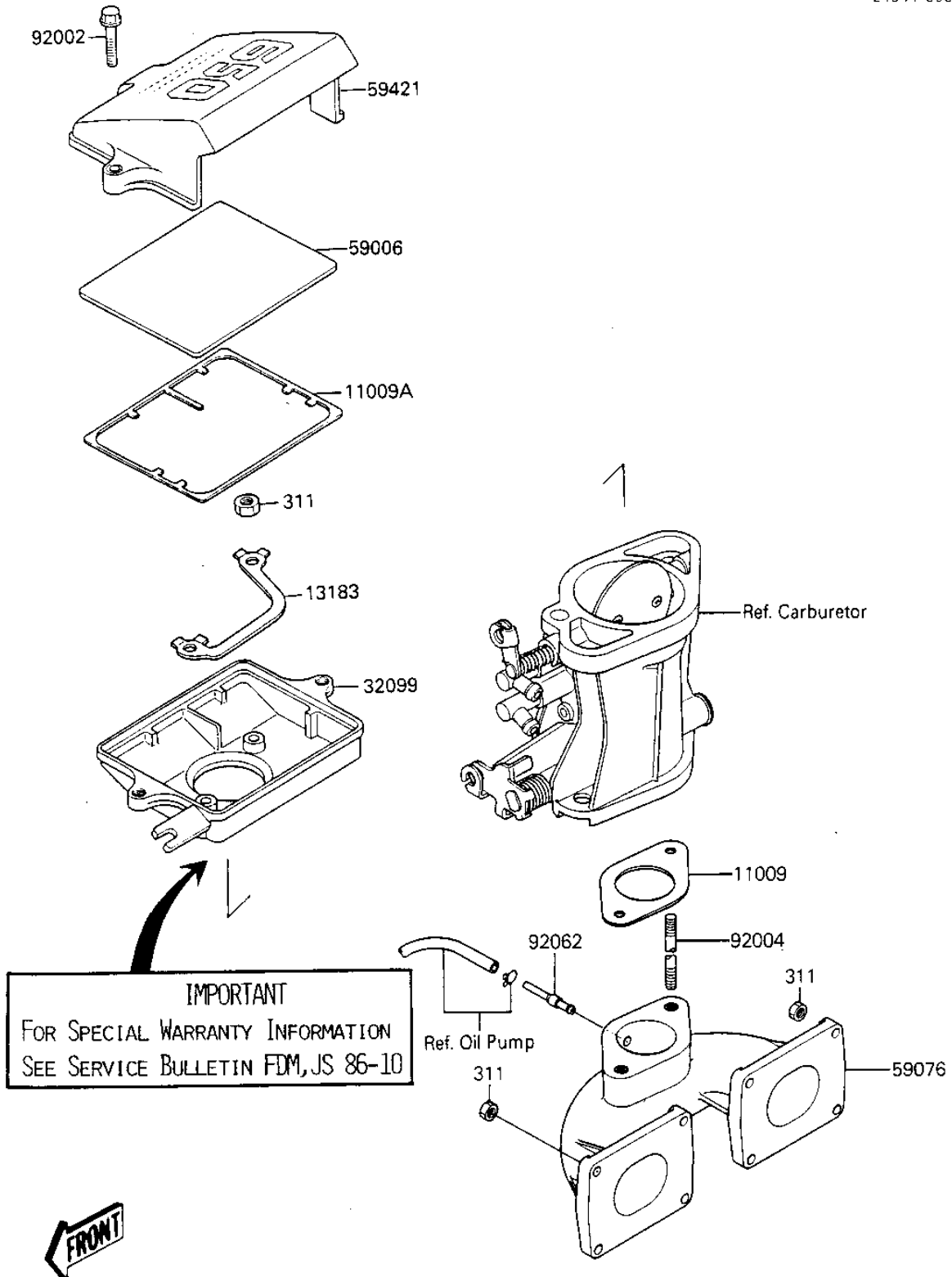


1987 X2 PARTS DIAGRAM

FLAME ARRESTER/MANIFOLD

E1614-0002



1987 X2 PARTS LIST

FLAME ARRESTER/MANIFOLD

| ITEM NAME | PART NUMBER | QUANTITY |
|-------------------------------------|-------------|----------|
| GASKET,CARBURETOR (Ref # 11009) | 11009-3747 | 1 |
| GASKET,ARRESTER CASE (Ref # 11009A) | 11009-3727 | 1 |
| LOCKWASHER (Ref # 13183) | 13183-3726 | 1 |
| CASE,ARRESTER (Ref # 32099) | 32099-3707 | 1 |
| ARRESTER-FLAME JF6 (Ref # 59006) | 59006-5001 | 1 |
| MANIFOLD-INTAKE (Ref # 59076) | 59076-3704 | 1 |
| COVER-INTAKE (Ref # 59421) | 59421-3701 | 1 |
| BOLT,6X30 (Ref # 92002) | 92002-3726 | 2 |
| STUD,10X35 (Ref # 92004) | 92004-3706 | 2 |
| NOZZLE (Ref # 92062) | 92062-3703 | 1 |
| NUT,6M/M (Ref # 311) | 311R0600 | 10 |