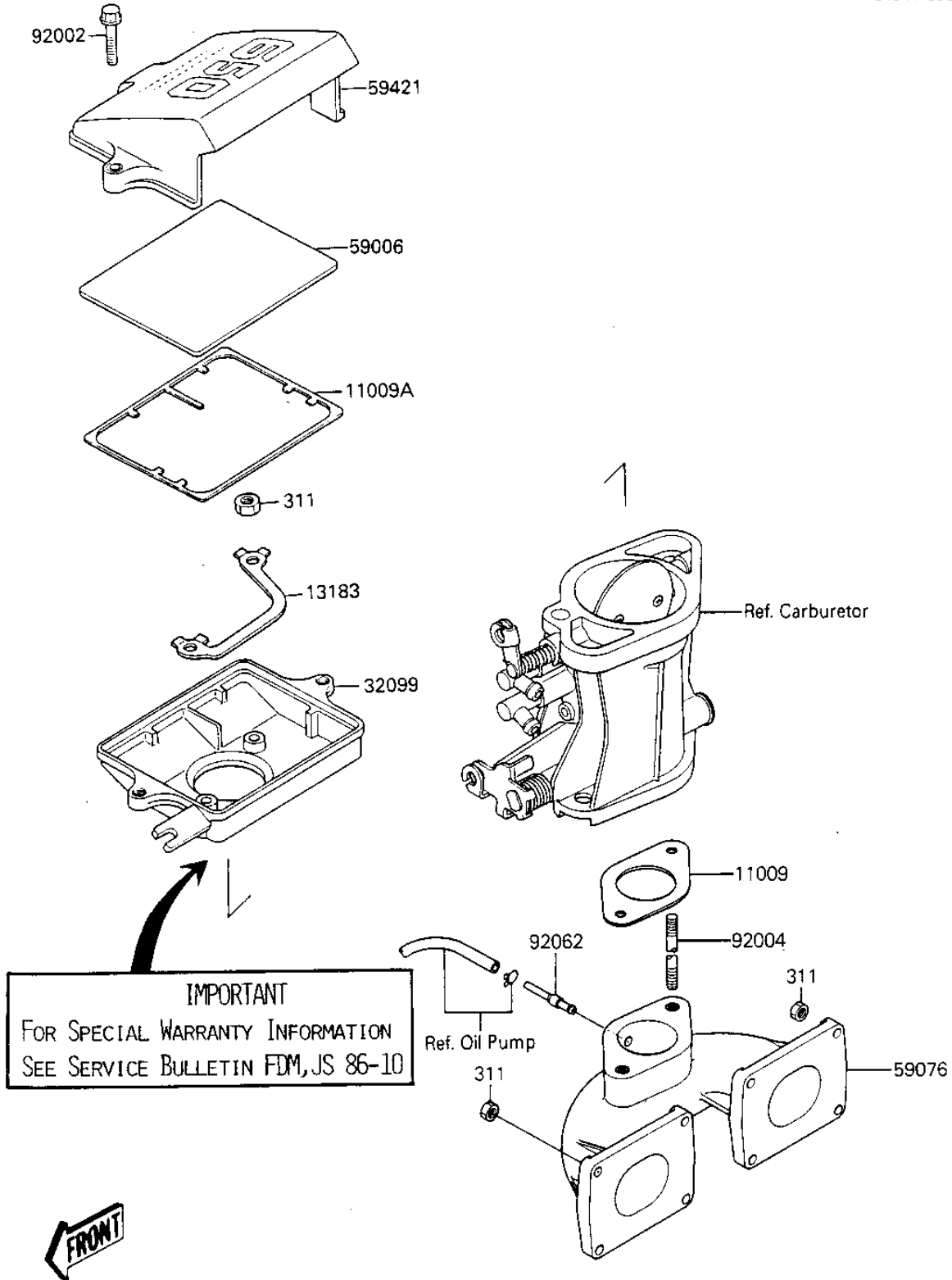


1986 X2 PARTS DIAGRAM

FLAME ARRESTER/MANIFOLD

E1614-0002



1986 X2 PARTS LIST

FLAME ARRESTER/MANIFOLD

ITEM NAME	PART NUMBER	QUANTITY
GASKET,CARBURETOR (Ref # 11009)	11009-3747	1
GASKET,ARRESTER CASE (Ref # 11009A)	11009-3727	1
LOCKWASHER (Ref # 13183)	13183-3726	1
CASE,ARRESTER (Ref # 32099)	32099-3707	1
ARRESTER-FLAME JF6 (Ref # 59006)	59006-5001	1
MANIFOLD-INTAKE (Ref # 59076)	59076-3704	1
COVER-INTAKE (Ref # 59421)	59421-3701	1
BOLT,6X30 (Ref # 92002)	92002-3726	2
STUD,10X35 (Ref # 92004)	92004-3706	2
NOZZLE (Ref # 92062)	92062-3703	1
NUT,6M/M (Ref # 311)	311R0600	10