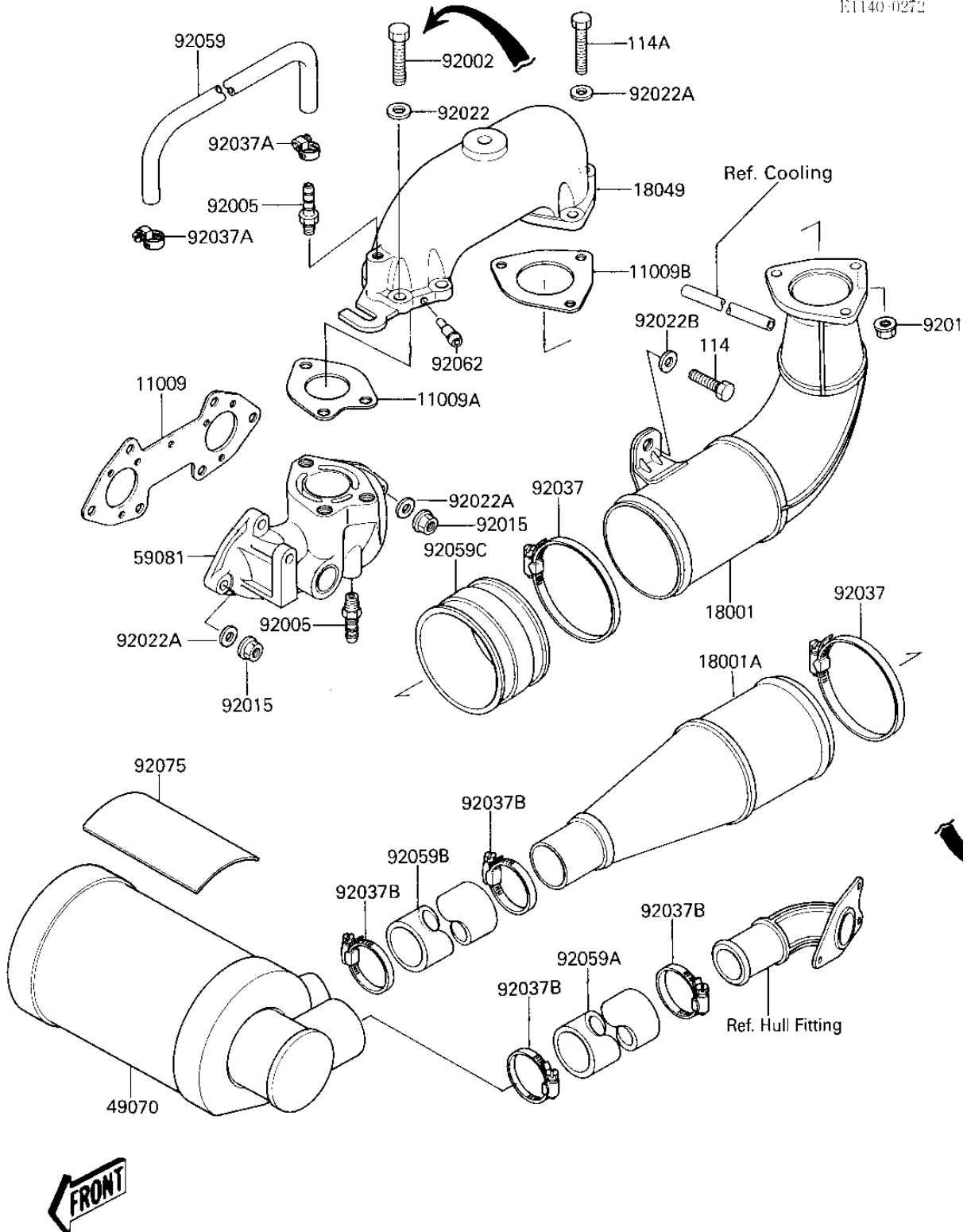


# 1987 X2 PARTS DIAGRAM

## MUFFLER (JF650-A1)

E1140-0272



# 1987 X2 PARTS LIST

## MUFFLER (JF650-A1)

ITEM NAME	PART NUMBER	QUANTITY
GASKET,EXHAUST MANIFO (Ref # 11009)	11009-3722	1
GASKET,EXHAUST PIPE (Ref # 11009A)	11060-3725	1
GASKET,MUFFLER (Ref # 11009B)	11009-3724	1
MUFFLER,TUNED (Ref # 18001)	18001-3715	1
MUFFLER,BODY (Ref # 18001A)	18001-3716	1
PIPE-EXHAUST (Ref # 18049)	18049-3710	1
MUFFLER-CMP,WATER BOX (Ref # 49070)	49070-3711	1
MANIFOLD-EXHAUST (Ref # 59081)	59081-3705	1
BOLT (Ref # 92002)	92002-3746	3
JOINT,HOSE (Ref # 92005)	92005-3001	2
NUT,8MM (Ref # 92015)	92015-3709	9
WASHER (Ref # 92022)	92022-3742	3
WASHER (Ref # 92022A)	92022-1964	9
WASHER (Ref # 92022B)	92022-3744	1
CLAMP,MAX 120,7MM (Ref # 92037)	92037-3733	2
CLAMP,HOSE (Ref # 92037A)	92037-504	2
CLAMP (Ref # 92037B)	92037-509	4
TUBE,9X190 (Ref # 92059)	92059-3021	1
TUBE (Ref # 92059A)	92059-3754	1
TUBE (Ref # 92059B)	92059-3762	1
TUBE,MUFFLER CONNECTI (Ref # 92059C)	92059-3767	1
NOZZLE (Ref # 92062)	92062-3705	1
DAMPER,3.OTX90X200 (Ref # 92075)	92075-522	1
BOLT-SMALL (Ref # 114)	114R0825	1
BOLT-SMALL,8X35 (Ref # 114A)	114R0835	3