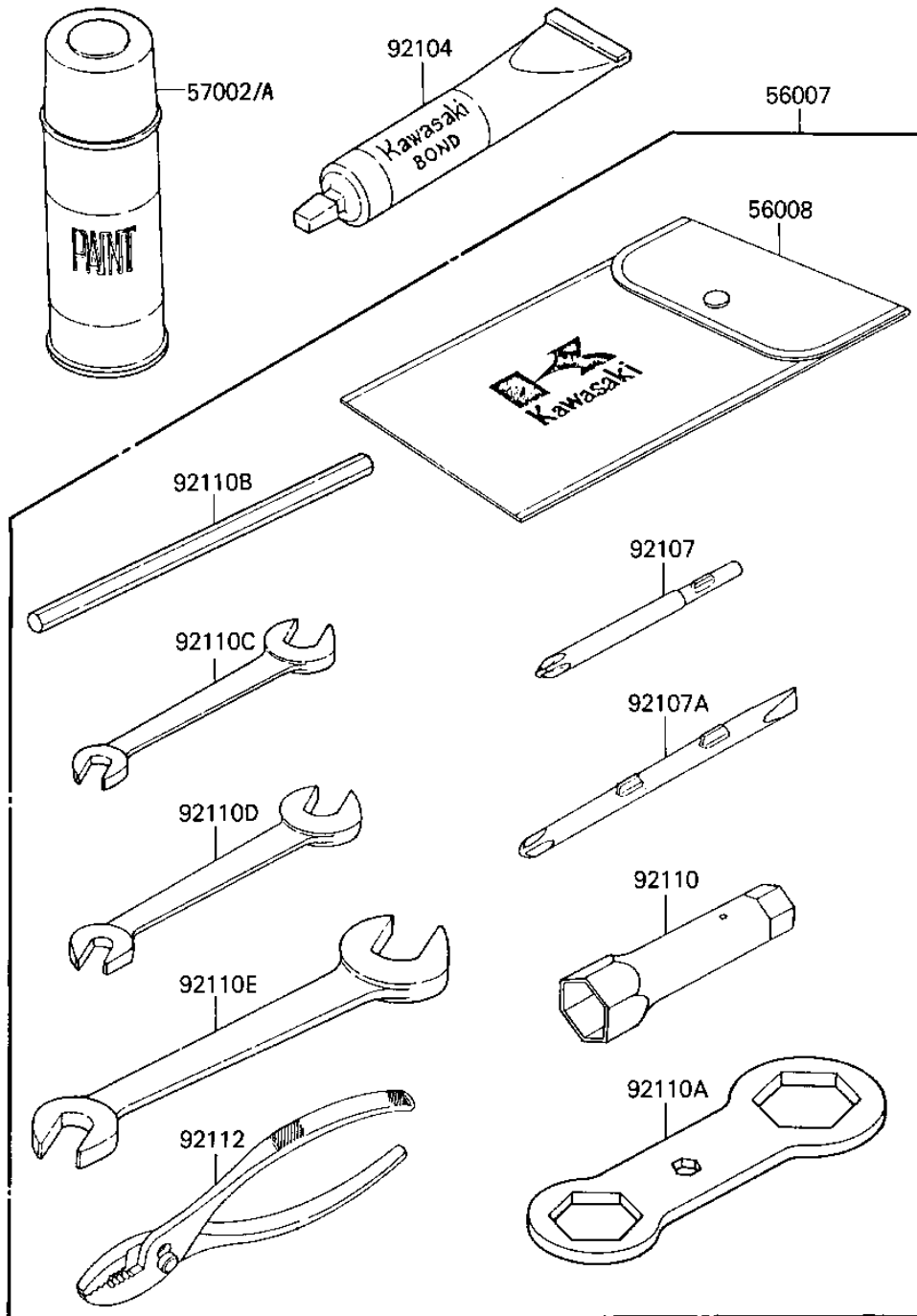


# 1987 JS300

## PARTS DIAGRAM

### OWNER TOOLS

F2810-0219



# 1987 JS300

## PARTS LIST OWNER TOOLS

ITEM NAME	PART NUMBER	QUANTITY
TOOLKIT (Ref # 56007)	56007-3706	1
BAG,TOOLKIT (Ref # 56008)	56008-1019	1
PAINT,OPTIC RED 12.5 (Ref # 57002A)	57002-4002	AR
LIQUID GASKET (Ref # 92104)	92104-002	AR
SCREW DRIVER #3 PHLIP (Ref # 92107)	92107-005	1
92107-1052 (Canada) (Ref # 92107A)	92107-1051	1
TOOL-WRENCH (Ref # 92110)	92110-1113	1
TOOL-WRENCH,BOX END,2 (Ref # 92110A)	92110-3701	1
TOOL-WRENCH,ALLEN BAR (Ref # 92110B)	92110-3702	1
WRENCH,OPEN,8X10 (Ref # 92110C)	92126-001	1
WRENCH,OPEN END,12X13 (Ref # 92110D)	92126-002	1
TOOL-WRENCH,OPEN END, (Ref # 92110E)	92110-1153	1
PLIERS,160MM (Ref # 92112)	92112-003	1