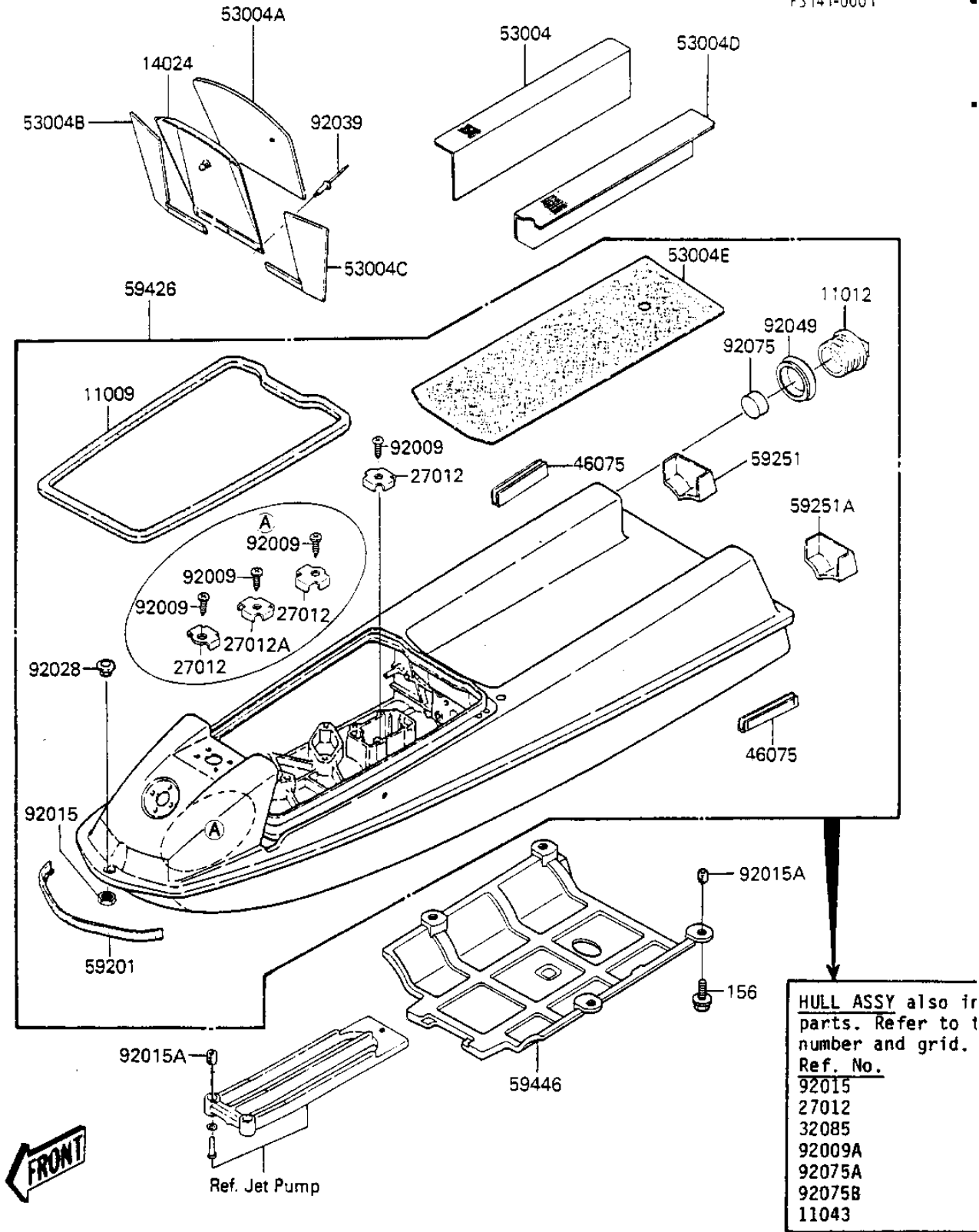


1986 JS300 PARTS DIAGRAM

HULL

F3141-0001



HULL ASSY also in parts. Refer to number and grid.
 Ref. No.
 92015
 27012
 32085
 92009A
 92075A
 92075B
 11043

1986 JS300 PARTS LIST

HULL

ITEM NAME	PART NUMBER	QUANTITY
GASKET,ENGINE COVER (Ref # 11009)	92065-539	1
CAP (Ref # 11012)	11012-3721	1
COVER (Ref # 14024)	14025-3706	1
HOOK (Ref # 27012)	27012-501	1
HOOK (Ref # 27012A)	27012-502	1
GRIP (Ref # 46075)	46075-3701	1
MAT,DECK FIN,RH (Ref # 53004)	53004-3701	1
MAT,DASHBOARD,COVER (Ref # 53004A)	53004-3705	1
MAT,DASHBOARD,RH (Ref # 53004B)	53004-3709	1
MAT,DASHBOARD,LH (Ref # 53004C)	53004-3710	1
MAT,DECK FIN,LH (Ref # 53004D)	53004-3714	1
MAT (Ref # 53004E)	59131-502	1
BUMPER (Ref # 59201)	59201-3691	1
HULL EXTENSION-RH (Ref # 59251)	59251-3005-8C	1
HULL EXTENSION-LH (Ref # 59251A)	59251-3006-8C	1
HULL-COMP,JET WHITE (Ref # 59426)	59426-5513-8C	1
COVER-JET PUMP (Ref # 59446)	59446-3002	1
SCREW 0.22 X 0.563 (Ref # 92009)	92011-561	1
NUT,20MM (Ref # 92015)	92015-3721	1
NUT-INSERT,6MM (Ref # 92015A)	92015-523	1
BUSHING (Ref # 92028)	92028-3724	1
RIVET (Ref # 92039)	92039-3703	1
SEAL-OIL (Ref # 92049)	92049-3709	1
DAMPER (Ref # 92075)	92075-3710	1
BOLT-WP,6X25 (Ref # 156)	156R0625	1