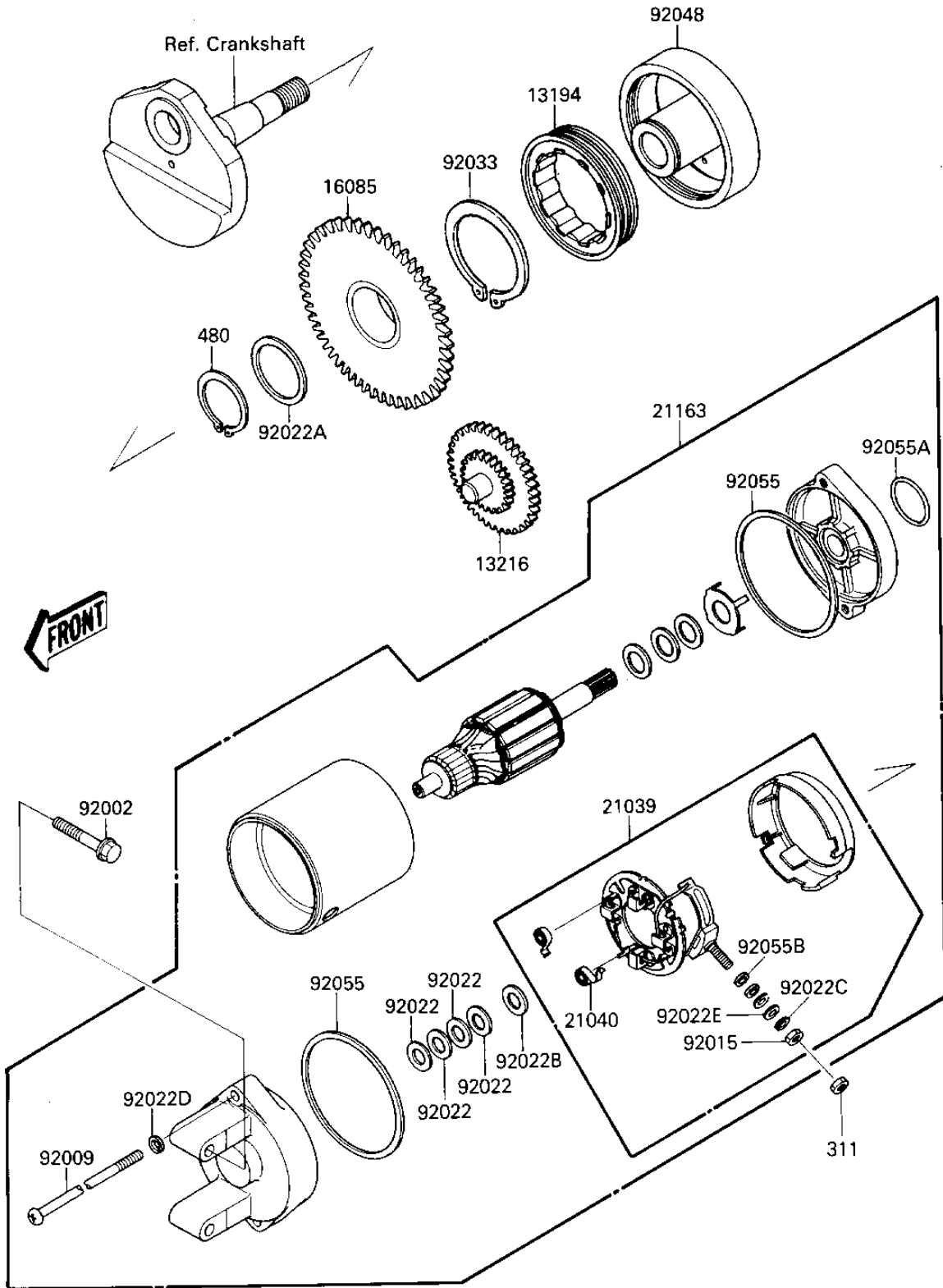


## 1986 JS300 PARTS DIAGRAM

STARTER MOTOR

E1840-0086



## 1986 JS300 PARTS LIST

### STARTER MOTOR

| ITEM NAME                           | PART NUMBER | QUANTITY |
|-------------------------------------|-------------|----------|
| CLUTCH-ONEWAY (Ref # 13194)         | 13194-1062  | 1        |
| GEAR-COMP,STARTER IDL (Ref # 13216) | 13216-1009  | 1        |
| GEAR,STARTER,59T (Ref # 16085)      | 16085-3701  | 1        |
| BRUSH,CARBON (Ref # 21039)          | 21039-3702  | 1        |
| SPRING-BRUSH (Ref # 21040)          | 21040-1003  | 1        |
| STARTER-ELECTRIC (Ref # 21163)      | 21163-3703  | 1        |
| BOLT,6X35 (Ref # 92002)             | 92002-3715  | 1        |
| SCREW,STARTER MOTOP (Ref # 92009)   | 92009-3702  | 1        |
| NUT,6MM (Ref # 92015)               | 92015-3710  | 1        |
| WASHER,THRUST,0.2T (Ref # 92022)    | 21025-011   | 1        |
| WASHER,36.3X46X2.0 (Ref # 92022A)   | 92022-1102  | 1        |
| WASHER,THRUST,0.8T (Ref # 92022B)   | 92022-1132  | 1        |
| WASHER,6MM (Ref # 92022C)           | 92022-3711  | 1        |
| WASHER,SPRING,5MM (Ref # 92022D)    | 92022-3712  | 1        |
| WASHER,6MM (Ref # 92022E)           | 92022-3713  | 1        |
| RING-SNAP (Ref # 92033)             | 92033-3706  | 1        |
| RACE,CLUTCH (Ref # 92048)           | 92048-3705  | 1        |
| "O" RING,STARTER MOTR (Ref # 92055) | 92055-1086  | 1        |
| RING-O (Ref # 92055A)               | 92055-1276  | 1        |
| RING-O,4.5X2.0 (Ref # 92055B)       | 92055-1370  | 1        |
| NUT,6M/M (Ref # 311)                | 311R0600    | 1        |
| CIRCLIP,36M/M (Ref # 480)           | 480J3600    | 1        |