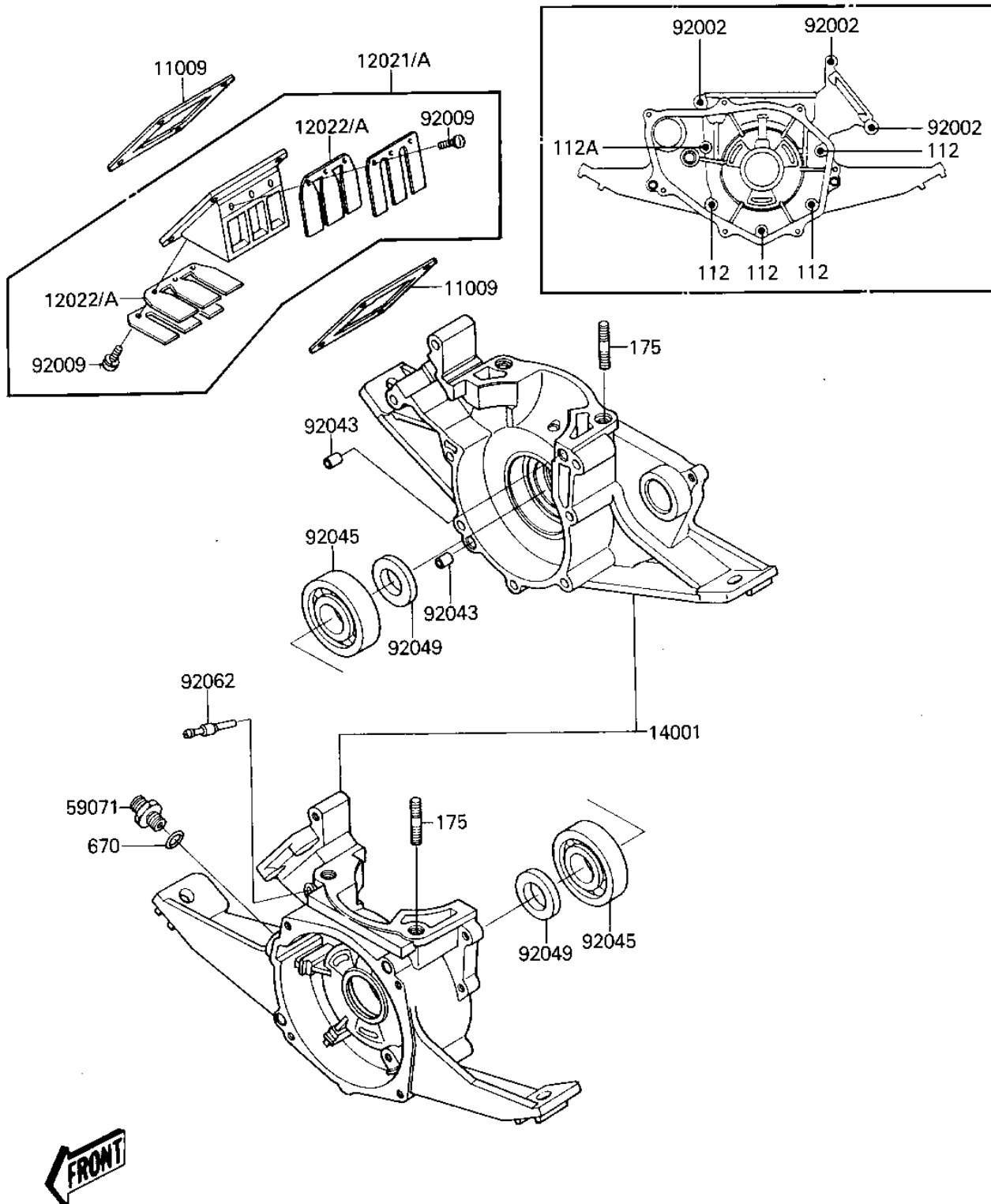


## 1986 JS300 PARTS DIAGRAM

CRANKCASE/REED VALVE

E1411-0143



## 1986 JS300 PARTS LIST

### CRANKCASE/REED VALVE

ITEM NAME	PART NUMBER	QUANTITY
GASKET,REED VALVE (Ref # 11009)	11060-3703	1
VALVE-ASSY-REED (Ref # 12021A)	12021-3701	1
VALVE-REED (Ref # 12022A)	12022-3701	1
SET-CRANKCASE (Ref # 14001)	14001-5199	1
JOINT (Ref # 59071)	59071-3001	1
BOLT,6X45 (Ref # 92002)	92002-3717	1
SCREW,REED VALVE (Ref # 92009)	92009-1014	1
PIN-DOWEL (Ref # 92043)	92042-007	1
BEARING,BALL,#6305SH2 (Ref # 92045)	92045-1024	1
OIL SEAL (Ref # 92049)	92049-1047	1
NOZZLE (Ref # 92062)	92062-3703	1
BOLT-UPSET (Ref # 112)	112H0645	1
BOLT-UPSET (Ref # 112A)	112H0665	1
BOLT-STUD-FINE (Ref # 175)	175R1035	1
"O" RING,16MM (Ref # 670)	670B2016	1