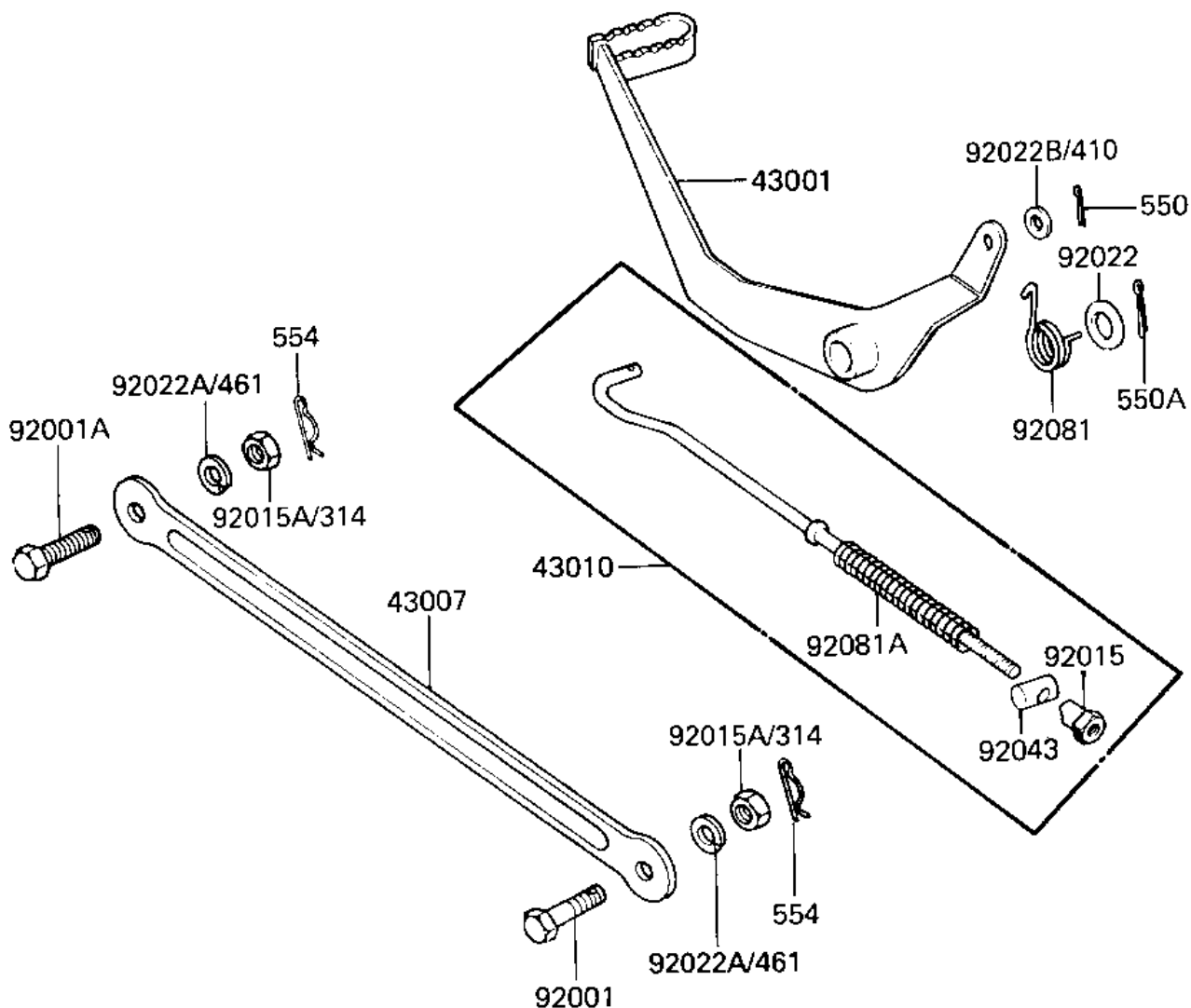


1984 KD80 PARTS DIAGRAM

BRAKE PEDAL/TORQUE LINK

F2260-0046



1984 KD80 PARTS LIST

BRAKE PEDAL/TORQUE LINK

ITEM NAME	PART NUMBER	QUANTITY
PEDAL,BRAKE (Ref # 43001)	43001-062	1
TORQUE LINK,RR BRAKE (Ref # 43007)	43007-037	1
ROD ASSY,REAR BRAKE (Ref # 43010)	43010-5004	1
BOLT HEX HEAD 10X25 (Ref # 92001)	92003-003	1
BOLT TORQUE LINK FIT (Ref # 92001A)	92003-017	1
NUT-BRAKE ROD ADJUST (Ref # 92015)	92015-042	1
NUT,10MM (Ref # 92015A)	92015-1416	1
WASHER BRAKE PEDAL (Ref # 92022)	92022-085	1
WASHER,SPRING,10MM (Ref # 92022A)	92022-1540	1
WASHER PLAIN 6MM (Ref # 92022B)	410B0600	1
PIN BRAKE (Ref # 92043)	92043-039	1
SPRING-BRAKE PEDAL (Ref # 92081)	43005-020	1
SPRING,BRAKE ROD (Ref # 92081A)	43012-001	1
PIN COTTER 2.0X15 (Ref # 550)	550D2015	1
PIN COTTER 3.0X30 (Ref # 550A)	550D3030	1
PIN,SNAP (Ref # 554)	554A0800	1