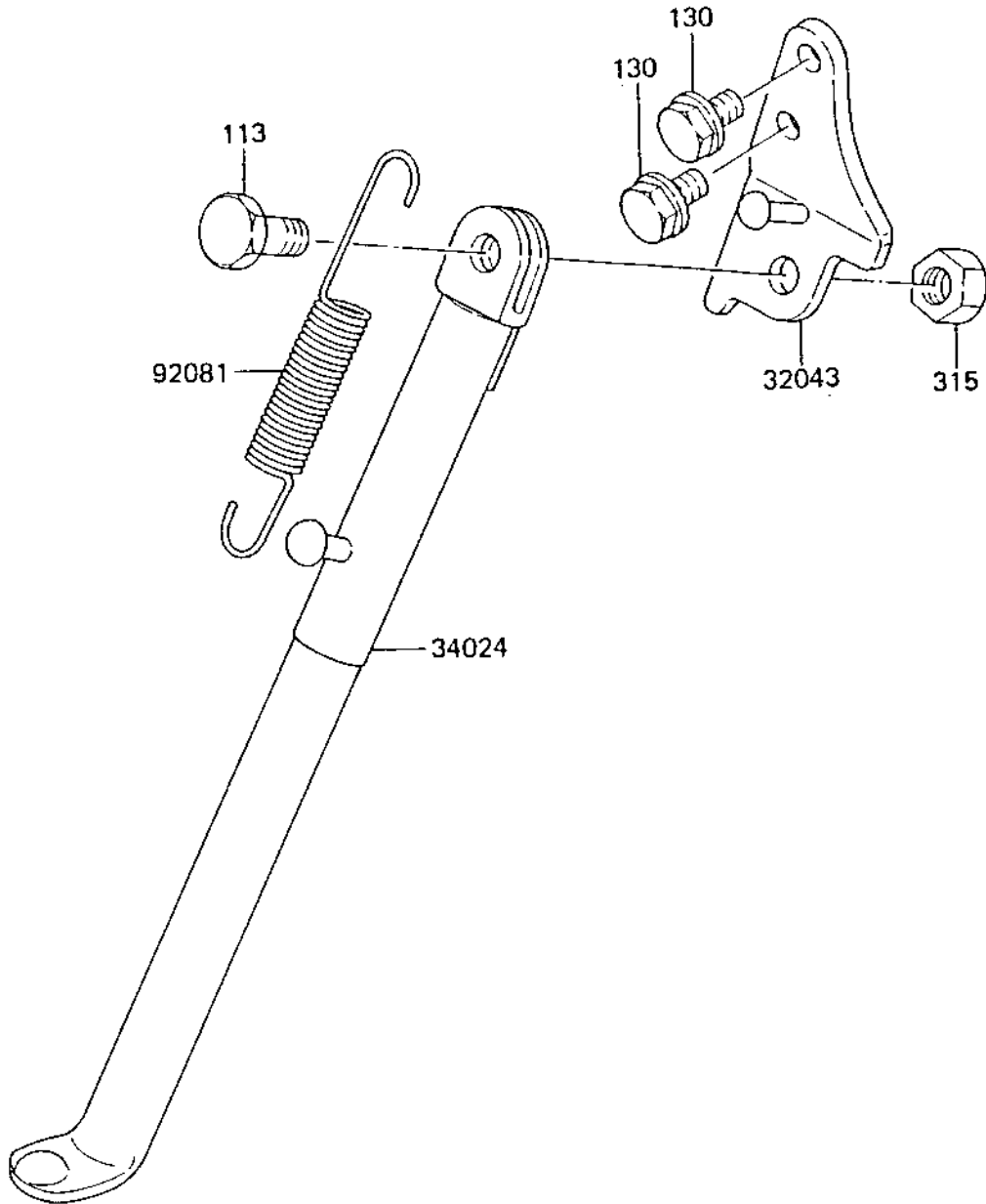


1985 KX80 PARTS DIAGRAM

STAND ('85 KX80-E3)

F2190-0113



1985 KX80 PARTS LIST

STAND ('85 KX80-E3)

ITEM NAME	PART NUMBER	QUANTITY
BRACKET-STAND,SIDE,SI (Ref # 32043)	32043-1245	1
STAND-SIDE (Ref # 34024)	34024-1188	1
SPRING,SIDE STAND (Ref # 92081)	34025-005	1
BOLT,HEX HEAD,10X25 (Ref # 113)	113G1025	1
BOLT-FLANGED,8X12 (Ref # 130)	130G0812	2
NUT 10MM (Ref # 315)	315B1000	1