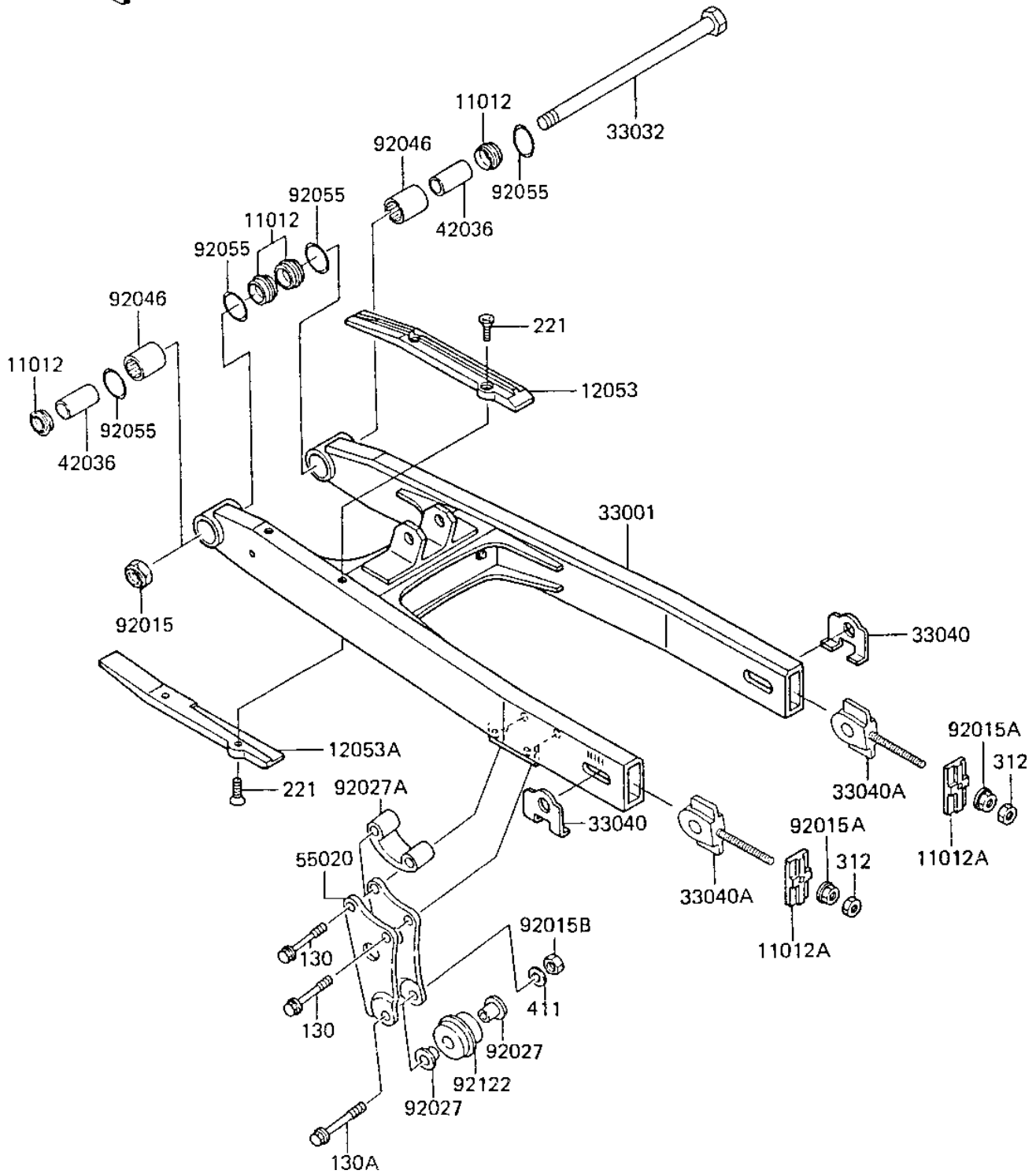


# 1985 KX80 PARTS DIAGRAM

SWING ARM ('85 KX80-E3)

F2141-0015



# 1985 KX80 PARTS LIST

SWING ARM ('85 KX80-E3)

ITEM NAME	PART NUMBER	QUANTITY
CAP,SWING ARM (Ref # 11012)	11012-1263	4
CAP,SWING ARM (Ref # 11012A)	11012-1411	2
GUIDE-CHAIN,FR,UPP (Ref # 12053)	12053-1132	1
GUIDE-CHAIN,FR,LWR (Ref # 12053A)	12053-1133	1
ARM-COMP-SWING (Ref # 33001)	33001-1226	1
SHAFT-SWING ARM,PIVOT (Ref # 33032)	33032-1031	1
ADJUSTER-CHAIN (Ref # 33040)	33040-1057	2
ADJUSTER-CHAIN (Ref # 33040A)	33040-1065	2
SLEEVE,SWING ARM,L=34 (Ref # 42036)	42036-1067	2
GUARD,CHAIN,RR (Ref # 55020)	55020-1163	1
NUT (Ref # 92015)	92015-1774	1
NUT-6MM (Ref # 92015A)	92015-1078	2
NUT,LOCK 6MM (Ref # 92015B)	92017-014	1
COLLAR,RADIATOR GUARD (Ref # 92027)	92027-1183	2
COLLAR,CHAIN GUIDE (Ref # 92027A)	92027-1495	1
BEARING-NEEDLE (Ref # 92046)	92046-1046	2
RING-0,SWING ARM (Ref # 92055)	92055-1240	4
ROLLER,CHAIN GUIDE (Ref # 92122)	92122-1030	1
BOLT,FLANGED,6X45 (Ref # 130)	130G0645	2
BOLT-FLANGED,6X50 (Ref # 130A)	130G0650	1
SCREW CNTSNK HD 6X10 (Ref # 221)	221B0610	4
NUT 6MM (Ref # 312)	312B0600	2
WASHER PLAIN 6MM (Ref # 411)	411B0600	1