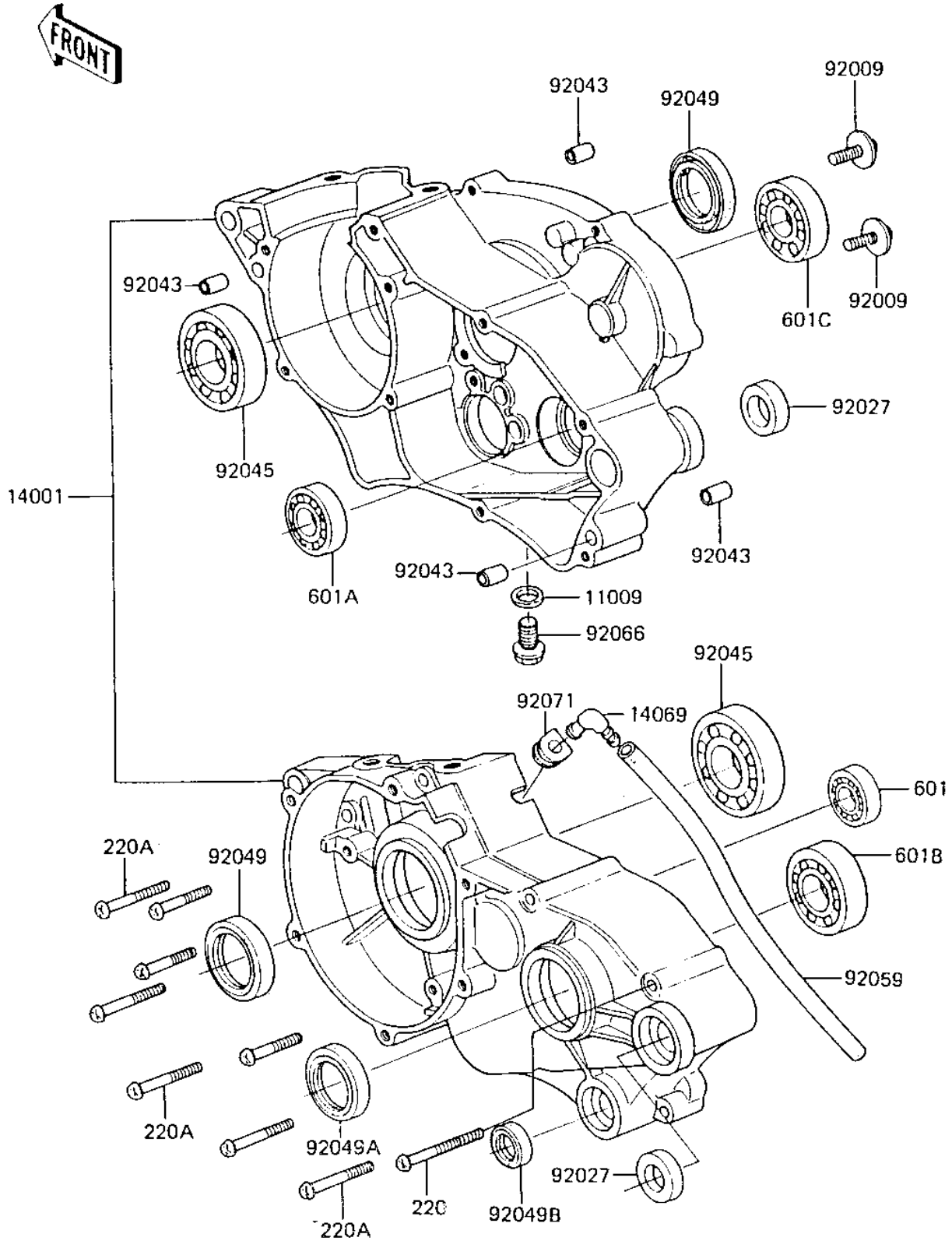


# 1985 KX80 PARTS DIAGRAM

CRANKCASE ('85 KX80-E3)

E1411-0088



# 1985 KX80 PARTS LIST

CRANKCASE ('85 KX80-E3)

| ITEM NAME                           | PART NUMBER | QUANTITY |
|-------------------------------------|-------------|----------|
| GASKET CHECK VALVE (Ref # 11009)    | 92065-058   | 1        |
| SET-CRANKCASE (Ref # 14001)         | 14001-5159  | 1        |
| BREATHER ASSY (Ref # 14069)         | 14069-1001  | 1        |
| SCREW (Ref # 92009)                 | 92009-1103  | 2        |
| COLLAR,6X12.1X26 (Ref # 92027)      | 92027-1744  | 2        |
| PIN-DOWEL (Ref # 92043)             | 92042-007   | 4        |
| BEARING-BALL,R-6304C3 (Ref # 92045) | 92045-1059  | 2        |
| SEAL-OIL,SD20407GS (Ref # 92049)    | 92049-1188  | 2        |
| OIL SEAL SC25376 (Ref # 92049A)     | 92050-013   | 1        |
| OIL SEAL,TB13225.5 (Ref # 92049B)   | 92051-005   | 1        |
| TUBE,6X9X750 (Ref # 92059)          | 92059-1372  | 1        |
| PLUG (Ref # 92066)                  | 92066-1241  | 1        |
| GROMMET (Ref # 92071)               | 92071-042   | 1        |
| SCREW PAN HEAD 6X60 (Ref # 220)     | 220B0660    | 1        |
| SCREW-PAN-CROS,6X35,B (Ref # 220A)  | 220C0635    | 8        |
| BEARING-BALL (Ref # 601)            | 92045-1235  | 1        |
| BEARING BALL #6002 (Ref # 601A)     | 601B6002    | 1        |
| BEARING BALL #6004 (Ref # 601B)     | 601B6004    | 1        |
| BEARING BALL #6203 (Ref # 601C)     | 601B6203    | 1        |