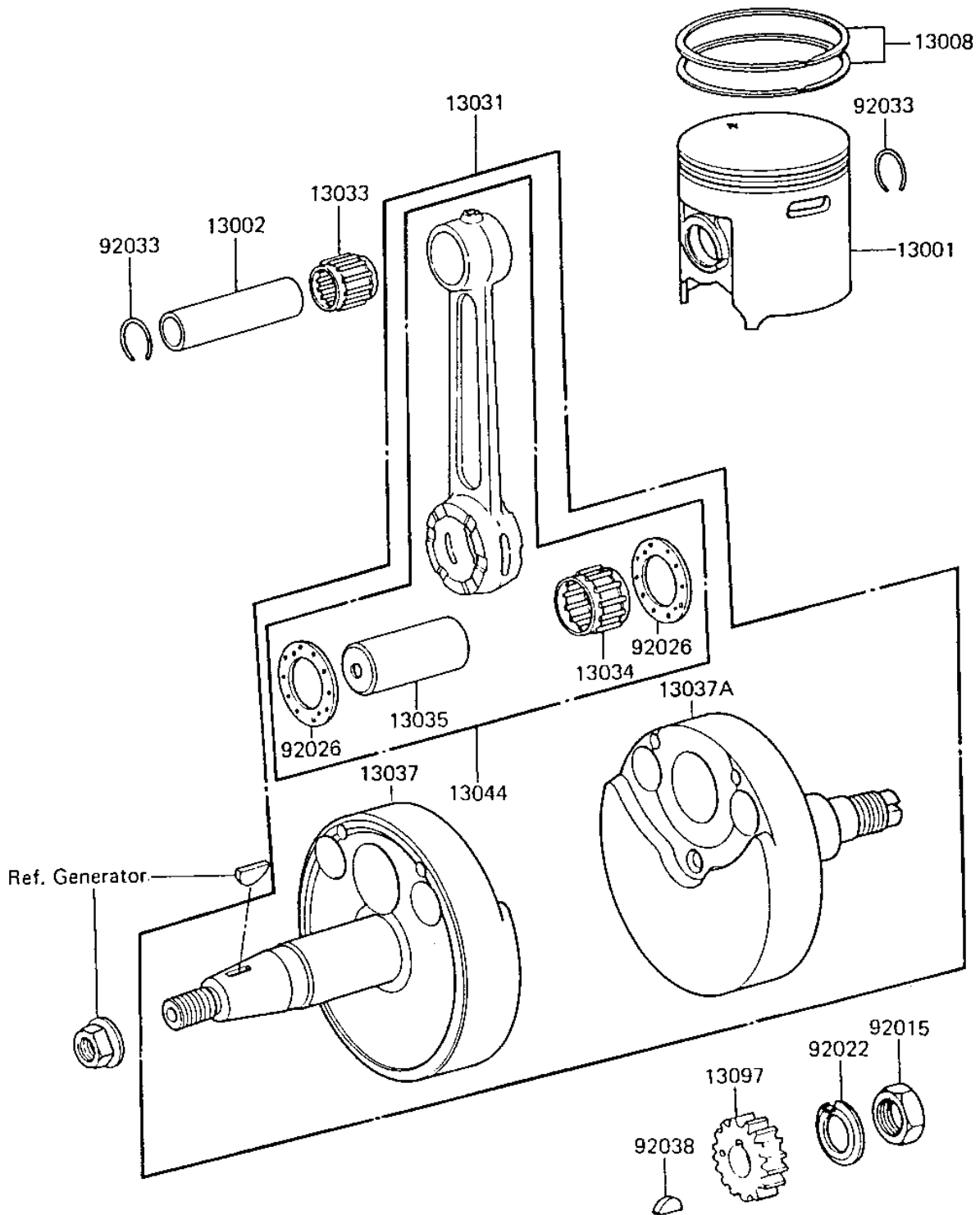


1985 KX80 PARTS DIAGRAM

CRANKSHAFT/PISTON ('85 KX80-E3)

E1320-0018



1985 KX80 PARTS LIST

CRANKSHAFT/PISTON ('85 KX80-E3)

ITEM NAME	PART NUMBER	QUANTITY
PISTON-ENGINE (Ref # 13001)	13001-1184	1
PIN-PISTON (Ref # 13002)	13002-1079	1
RING-SET-PISTON (Ref # 13008)	13008-5052	1
CRANKSHAFT-COMP (Ref # 13031)	13031-1176	1
BEARING-NEEDLE,14R181 (Ref # 13033)	13033-1003	1
BEARING-BIG END (Ref # 13034)	13034-1032	1
PIN-CRANK (Ref # 13035)	13035-1054-01	1
CRANKSHAFT,LH (Ref # 13037)	13037-1202	1
CRANKSHAFT,RH (Ref # 13037A)	13037-1229	1
SET-CONNECTING ROD (Ref # 13044)	13044-5053	1
GEAR,PRIMARY,24T (Ref # 13097)	13097-1042	1
NUT 12MM (Ref # 92015)	92015-006	1
WASHER LOCK 12MM (Ref # 92022)	92024-003	1
SPACER,22.2X37X1.0 (Ref # 92026)	92026-1136	2
CIRCLIP PISTON PIN (Ref # 92033)	92036-003	2
WOODRUFF KEY PRY PINI (Ref # 92038)	92038-003	1