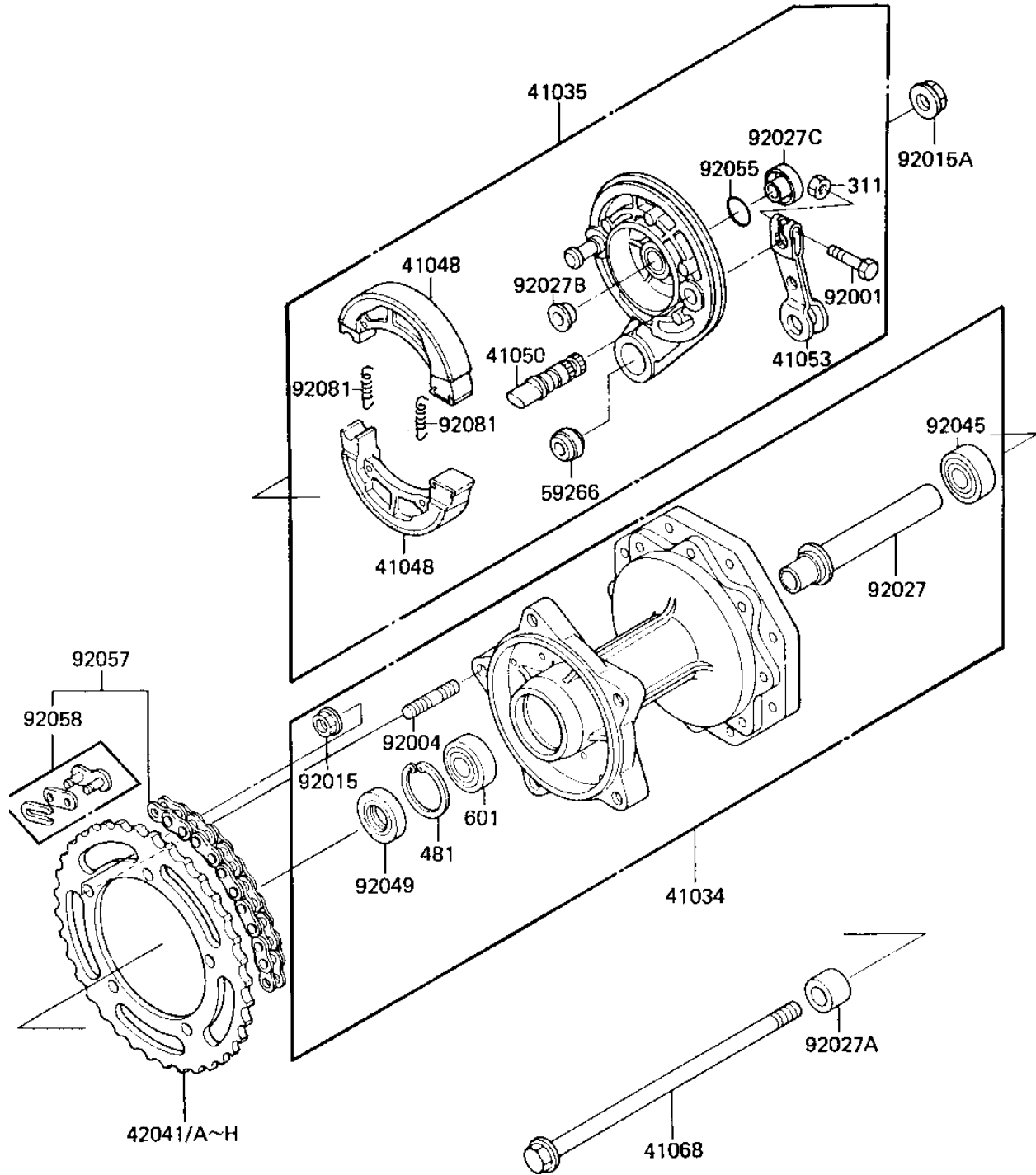


# 1985 KX80 PARTS DIAGRAM

REAR HUB/BRAKE/CHAIN ('84 KX80-E2)

F2240-0113



# 1985 KX80 PARTS LIST

REAR HUB/BRAKE/CHAIN ('84 KX80-E2)

| ITEM NAME                            | PART NUMBER | QUANTITY |
|--------------------------------------|-------------|----------|
| DRUM-ASSY,REAR BRAKE (Ref # 41034)   | 41034-1068  | 1        |
| PANEL-ASSY-BRAKE,RR (Ref # 41035)    | 41035-1169  | 1        |
| SHOE-BRAKE (Ref # 41048)             | 41048-1083  | 2        |
| CAM-BRAKE,RR (Ref # 41050)           | 41050-1028  | 1        |
| LEVER-BRAKE CAM,RR (Ref # 41053)     | 41053-1057  | 1        |
| AXLE,L=206 (Ref # 41068)             | 41068-1167  | 1        |
| SPROCKET-HUB,44T (Ref # 42041)       | 42041-1114  | 1        |
| SPROCKET-HUB,43T (Ref # 42041A)      | 42041-1116  | 1        |
| SPROCKET-HUB,45T (Ref # 42041B)      | 42041-1117  | 1        |
| SPROCKET-HUB,49T (Ref # 42041C)      | 42041-1121  | 1        |
| SPROCKET-HUB,48T (Ref # 42041D)      | 42041-1122  | 1        |
| SPROCKET-HUB,50T (Ref # 42041E)      | 42041-1123  | 1        |
| SPROCKET-HUB,47T (Ref # 42041F)      | 42041-1129  | 1        |
| SPROCKET-HUB,46T (Ref # 42041G)      | 42041-1178  | 1        |
| SPROCKET-HUB,51T (Ref # 42041H)      | 42041-1181  | 1        |
| JOINT-BALL,BRAKE PANE (Ref # 59266)  | 59266-1013  | 1        |
| BOLT,5X25 (Ref # 92001)              | 92001-1695  | 1        |
| STUD,8X14 (Ref # 92004)              | 92004-1053  | 5        |
| NUT,8M/M (Ref # 92015)               | 92015-1014  | 5        |
| NUT-12MM (Ref # 92015A)              | 92015-1156  | 1        |
| COLLAR,REAR DRUM,L=11 (Ref # 92027)  | 92027-1471  | 1        |
| COLLAR,REAR AXLE,L=14 (Ref # 92027A) | 92027-1473  | 1        |
| COLLAR,BRAKE PANEL,LH (Ref # 92027B) | 92027-1541  | 1        |
| COLLAR,BRAKE PANEL,RH (Ref # 92027C) | 92027-1542  | 1        |
| BEARING-BALL,TMB201LL (Ref # 92045)  | 92045-1062  | 1        |
| SEAL-OIL,DD20377 (Ref # 92049)       | 92049-1096  | 1        |
| "O" RING (Ref # 92055)               | 92055-104   | 1        |
| CHAIN,DRIVE,DID420MX1 (Ref # 92057)  | 92057-1154  | 1        |
| JOINT-CHAIN (Ref # 92058)            | 92058-1053  | 1        |

## 1985 KX80 PARTS LIST

REAR HUB/BRAKE/CHAIN ('84 KX80-E2)

| ITEM NAME                         | PART NUMBER | QUANTITY |
|-----------------------------------|-------------|----------|
| SPRING,BRAKE SHOE (Ref # 92081)   | 92081-1564  | 2        |
| NUT-HEX (Ref # 311)               | 311G0500    | 1        |
| CIRCLIP.37MM (Ref # 481)          | 481J3700    | 1        |
| BEARING-BALL,#6201UUC (Ref # 601) | 601B6301UU  | 1        |