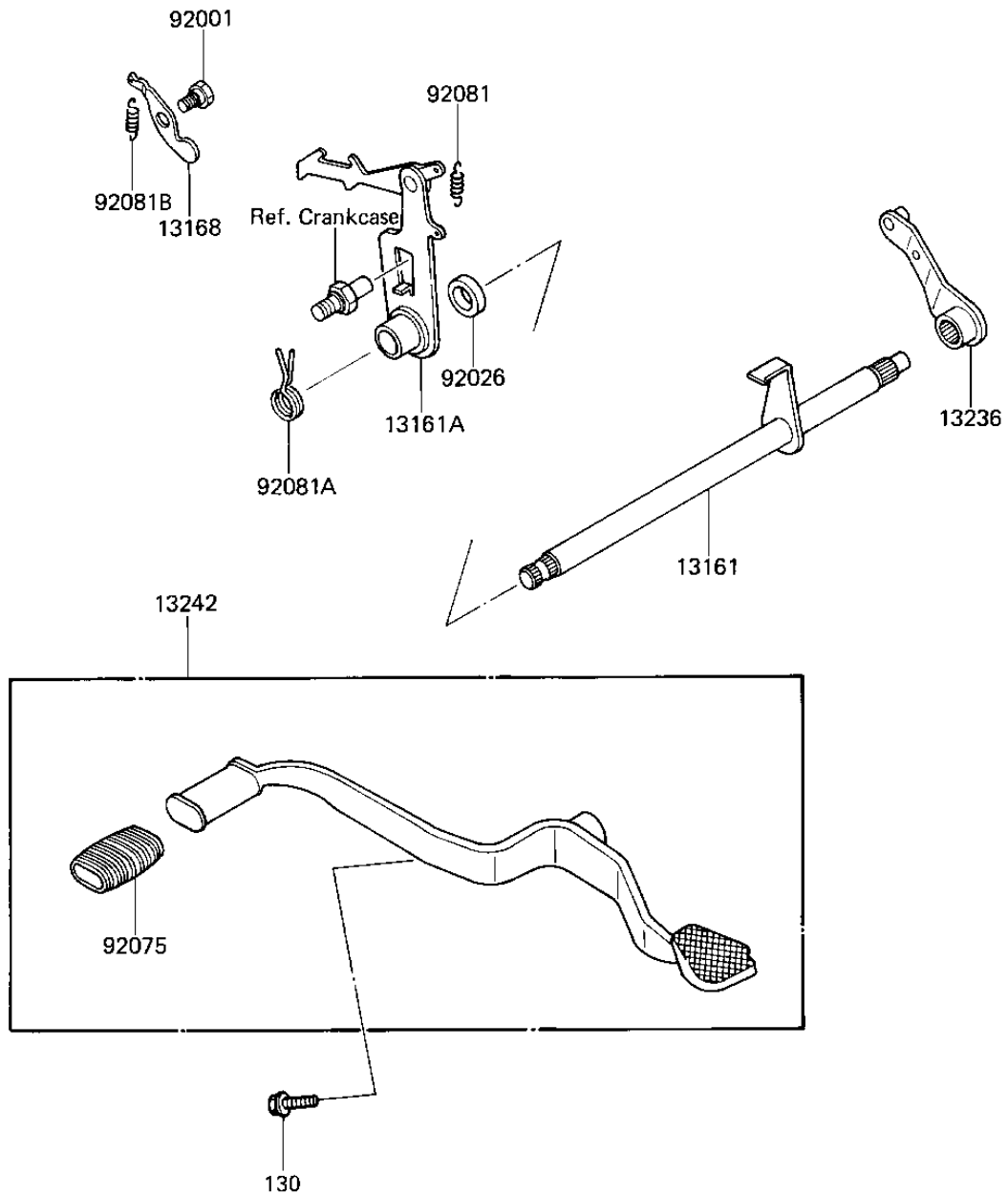


## 1985 KLT110 PARTS DIAGRAM

GEAR CHANGE MECHANISM

E1370-0116



## 1985 KLT110 PARTS LIST

### GEAR CHANGE MECHANISM

ITEM NAME	PART NUMBER	QUANTITY
LEVER-COMP-CHANGE SHA (Ref # 13161)	13161-1044	1
LEVER-COMP-CHANGE SHA (Ref # 13161A)	13161-1051	1
LEVER (Ref # 13168)	13168-1138	1
LEVER-COMP (Ref # 13236)	13236-1054	1
LEVER-ASSY-CHANGE (Ref # 13242)	13242-1211	1
BOLT,CHANGE DRUM LEVE (Ref # 92001)	92150-1450	1
SPACER,13.2X19X5.5 (Ref # 92026)	92026-1144	1
DAMPER,CHANGE PEDAL (Ref # 92075)	92075-1585	1
SPRING-CHANGE LEVER (Ref # 92081)	92081-076	1
SPRING,CHANGE SHAFT R (Ref # 92081A)	92144-1107	1
SPRING,DRUM LEVER SET (Ref # 92081B)	92081-1474	1
BOLT-FLANGED,6X20,BLA (Ref # 130)	130S0620	1