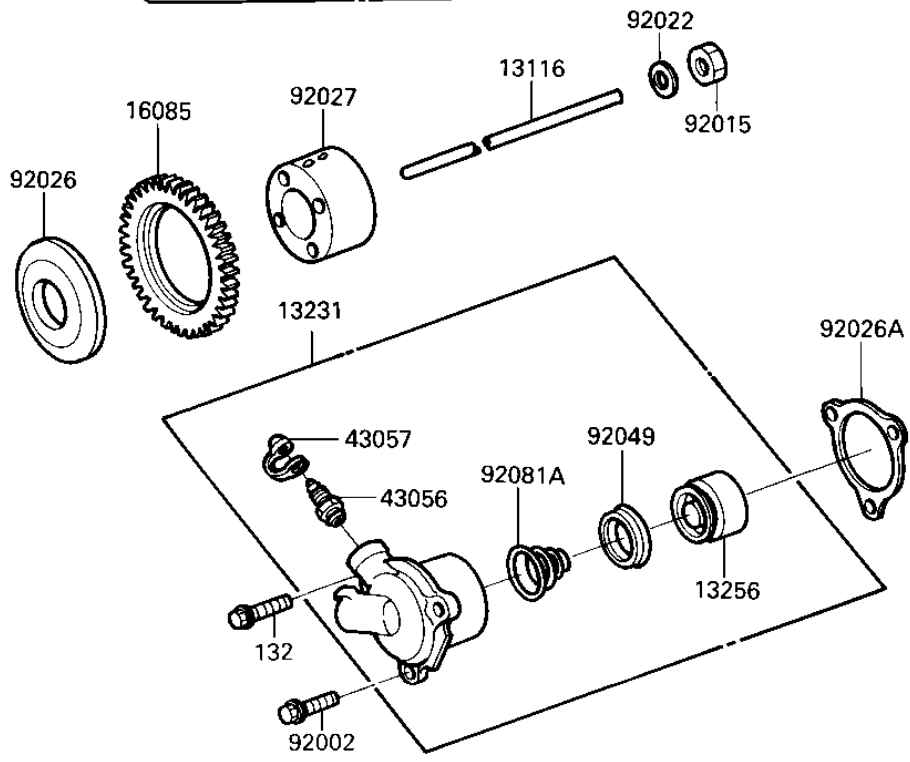
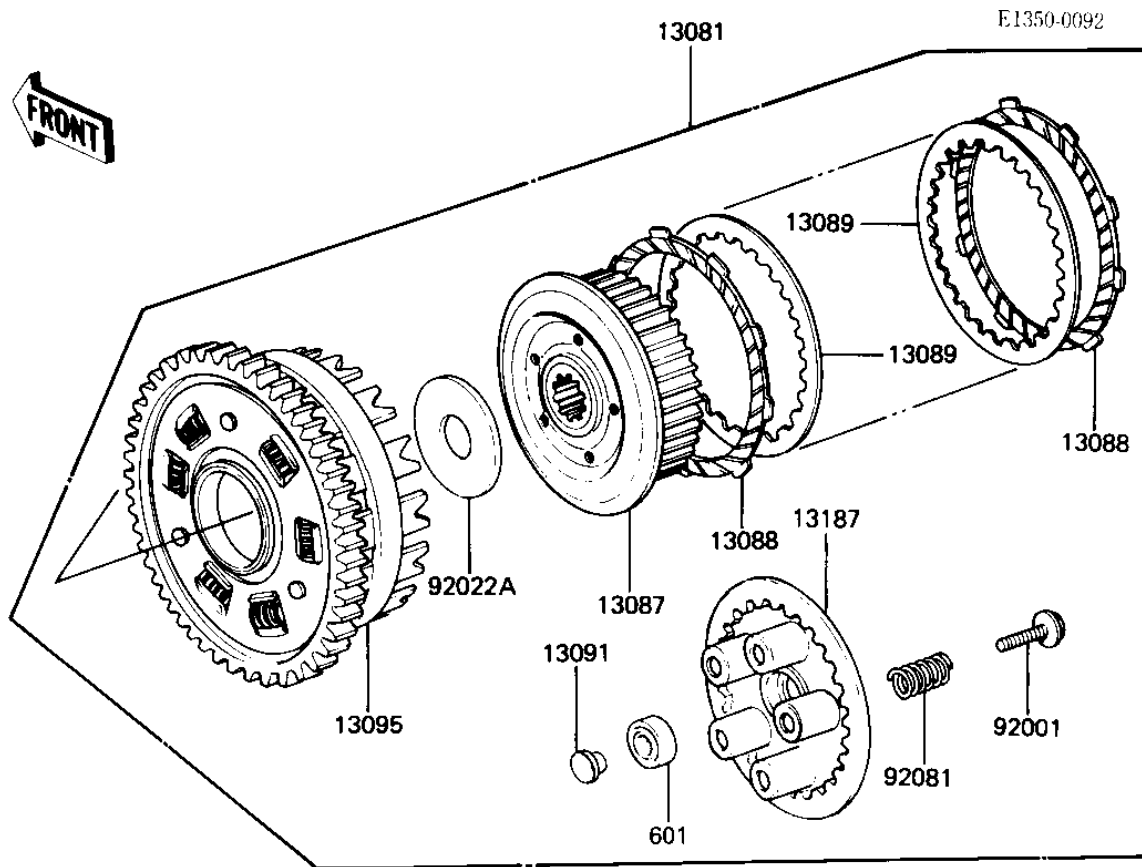


1985 Ninja® PARTS DIAGRAM

CLUTCH



1985 Ninja® PARTS LIST

CLUTCH

| ITEM NAME | PART NUMBER | QUANTITY |
|--------------------------------------|-------------|----------|
| CLUTCH-ASSY (Ref # 13081) | 13081-1175 | 1 |
| HUB,CLUTCH (Ref # 13087) | 13087-042 | 1 |
| PLATE-FRICTION (Ref # 13088) | 13088-1013 | 1 |
| PLATE,CLUTCH STEL (Ref # 13089) | 13089-027 | 1 |
| HOLDER (Ref # 13091) | 13091-1085 | 1 |
| HOUSING-COMP-CLUTCH (Ref # 13095) | 13095-1245 | 1 |
| ROD-PUSH,CLUTCH (Ref # 13116) | 13116-1104 | 1 |
| PLATE-CLUTCH OPERATIN (Ref # 13187) | 13187-1006 | 1 |
| RELEASE-ASSY-CLUTCH (Ref # 13231) | 13231-1066 | 1 |
| PISTON,CLUTCH RELEASE (Ref # 13256) | 13256-1051 | 1 |
| GEAR,OIL PUMP (Ref # 16085) | 16085-1108 | 1 |
| BREATHER-BRAKE (Ref # 43056) | 43056-1052 | 1 |
| CAP-BREATHER (Ref # 43057) | 43057-1001 | 1 |
| BOLT,CLUTCH SPR FITT (Ref # 92001) | 92001-1066 | 1 |
| BOLT (Ref # 92002) | 92002-1613 | 1 |
| NUT,20MM (Ref # 92015) | 92015-1555 | 1 |
| WASHER,PLAIN,2.3X20.3 (Ref # 92022) | 92022-1116 | 1 |
| WASHER,CLUTCH THRUST (Ref # 92022A) | 92022-1592 | 1 |
| SPACER (Ref # 92026) | 92026-5001 | 1 |
| SPACER,CLUTCH RELEASE (Ref # 92026A) | 92026-1263 | 1 |
| COLLAR (Ref # 92027) | 92027-1710 | 1 |
| SEAL-OIL,PISTON (Ref # 92049) | 92049-1165 | 1 |
| SPRING,CLUTCH (Ref # 92081) | 92081-1033 | 1 |
| SPRING,CLUTCH RELEASE (Ref # 92081A) | 92081-1644 | 1 |
| BOLT-FLANGED-SMALL (Ref # 132) | 132J0680 | 1 |
| BEARING-BALL (Ref # 601) | 92045-1235 | 1 |