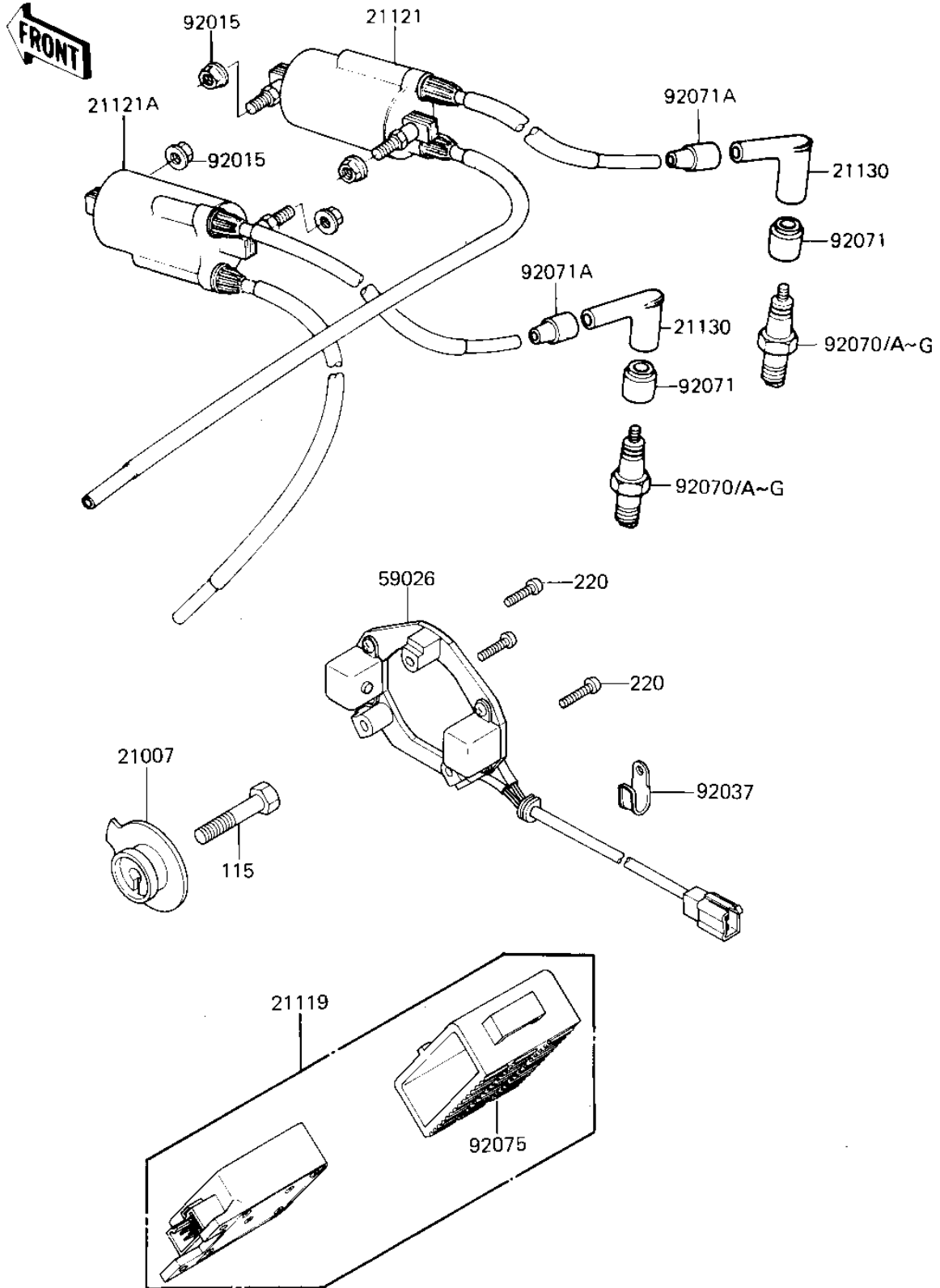


1985 GPz 750 PARTS DIAGRAM

IGNITION

E1830-0171



1985 GPz 750 PARTS LIST

IGNITION

ITEM NAME	PART NUMBER	QUANTITY
ROTOR,PULSING COIL (Ref # 21007)	21007-1069	1
IGNITER (Ref # 21119)	21119-1075	1
COIL,IGNITION #1.#4 (Ref # 21121)	21121-1027	1
COIL,IGNITION #2.#3 (Ref # 21121A)	21121-1028	1
CAP-SPARK PLUG,RTFM20 (Ref # 21130)	21130-1007	4
COIL-PULSING (Ref # 59026)	59026-1026	1
NUT-6MM (Ref # 92015)	92015-1078	4
CLAMP,WIRING HARNESS (Ref # 92037)	21126-008	2
SPARK PLUG B8ES (Ref # 92070)	B8ES	4
SPARK PLUG B9ES (Ref # 92070A)	B9ES	4
SPARK PLUG BR8ES (Ref # 92070C)	BR8ES	4
SPARK PLUG BR9ES (Canada) (Ref # 92070G)	92070-1053	4
GROMMET-PLUG CAP,A (Ref # 92071)	21131-004	4
GROMMET,SPARK PLG CAP (Ref # 92071A)	21132-005	4
DAMPER,IGNITER (Ref # 92075)	92075-1504	1
BOLT-SMALL-UPSET (Ref # 115)	115G0845	1
SCREW-PAN-CROS,5X25 (Ref # 220)	220B0525	3