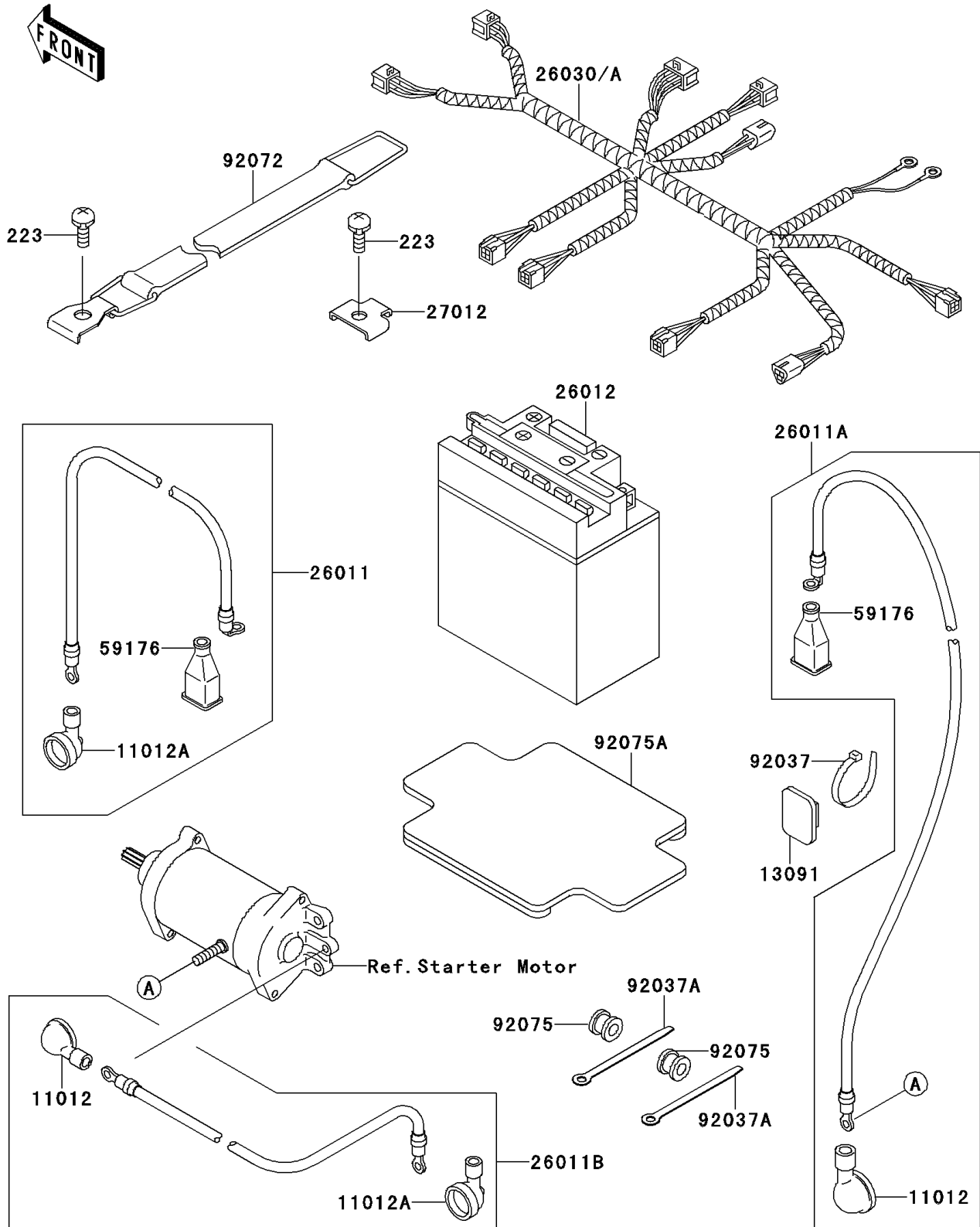


## 1996 Super Sport XI PARTS DIAGRAM

Electrical Equipment

F3181



## 1996 Super Sport XI PARTS LIST

### Electrical Equipment

| ITEM NAME                                | PART NUMBER | QUANTITY |
|--|-------------|----------|
| SCREW-PAN-WS-CROS,6X14 (Ref # 223)       | 223R0614    | 1        |
| CAP (Ref # 11012)                        | 11012-3004  | 1        |
| CAP,LEAD WIRE (Ref # 11012A)             | 11012-3726  | 1        |
| HOLDER,BAND (Ref # 13091)                | 13091-3764  | 1        |
| WIRE-LEAD,RELAY-BATTERY (Ref # 26011)    | 26011-3795  | 1        |
| WIRE-LEAD,STARTER-BATTERY (Ref # 26011A) | 26011-3796  | 1        |
| WIRE-LEAD,RELAY-STARTER (Ref # 26011B)   | 26011-3797  | 1        |
| BATTERY,YB16CL-B,12V 19AH (Ref # 26012)  | 26012-3720  | 1        |
| HARNESS (Ref # 26030)                    | 26030-3705  | 1        |
| HOOK (Ref # 27012)                       | 27012-3751  | 1        |
| CAP.,TERMINAL (Ref # 59176)              | 59176-501   | 1        |
| CLAMP (Ref # 92037)                      | 92037-1173  | 1        |
| CLAMP,L=100 (Ref # 92037A)               | 92037-3736  | 1        |
| BAND,BATTERY (Ref # 92072)               | 92072-3748  | 1        |
| DAMPER (Ref # 92075)                     | 92075-1650  | 1        |
| DAMPER,BATTERY (Ref # 92075A)            | 92075-3714  | 1        |