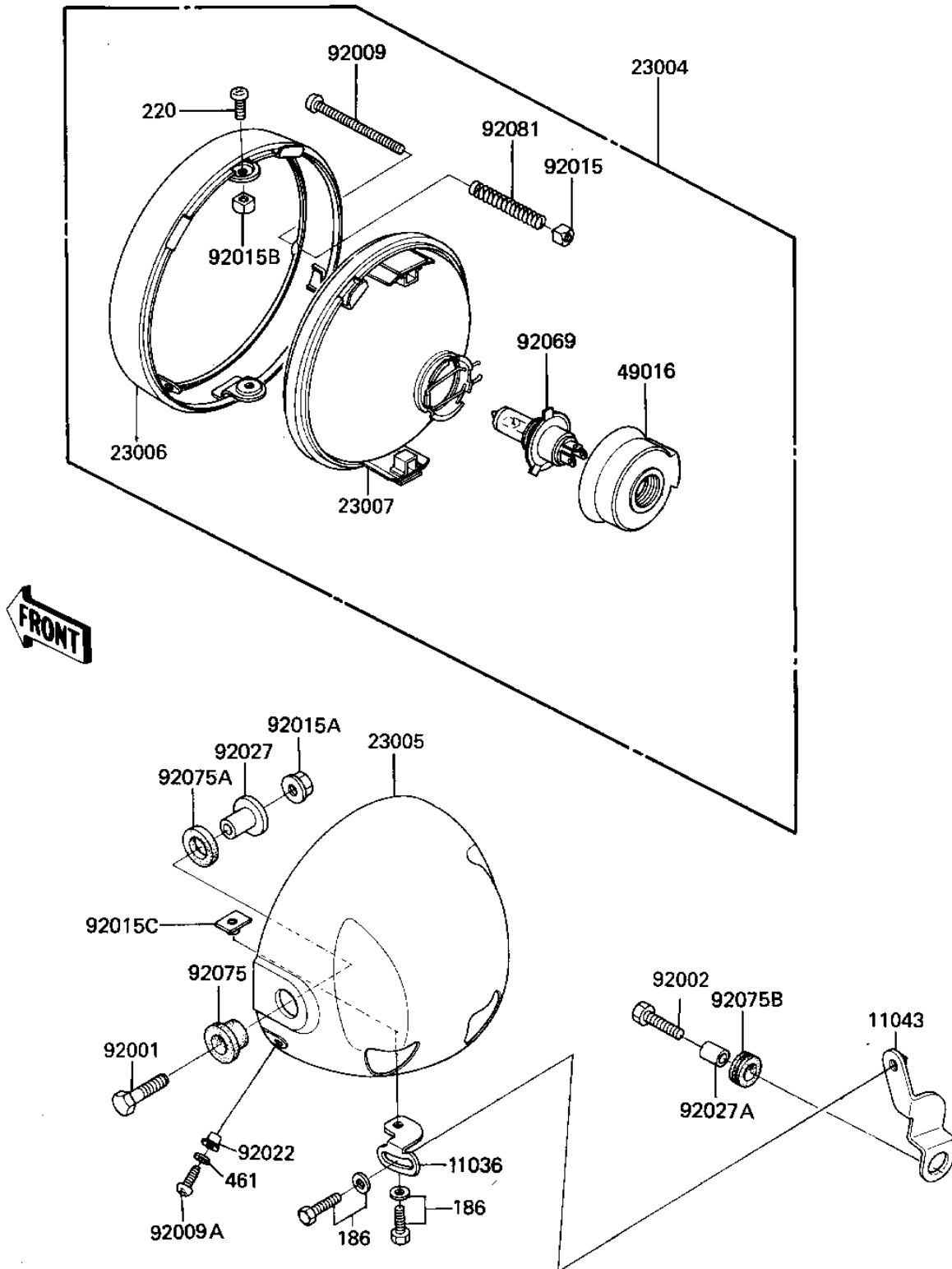


1985 LTD Shaft PARTS DIAGRAM

HEADLIGHT

FZ710-0227



1985 LTD Shaft PARTS LIST

HEADLIGHT

ITEM NAME	PART NUMBER	QUANTITY
BRACKET-A,HEAD LAMP (Ref # 11036)	11036-1649	1
BRACKET,HEAD LAMP (Ref # 11043)	11043-1573	1
LAMP-HEAD (Ref # 23004)	23004-1171	1
BODY-COMP-HEAD LAMP,C (Ref # 23005)	23005-1053	1
RIM-LAMP (Ref # 23006)	23006-1055	1
LENS-COMP (Ref # 23007)	23007-1115	1
COVER-SEAL,HEAD LAMP (Ref # 49016)	49016-1046	1
BOLT,FLANGED,8X35 (Ref # 92001)	92001-1910	2
BOLT,6X25 (Ref # 92002)	92002-1137	1
SCREW,FOCUS ADJU.4X52 (Ref # 92009)	92009-1033	1
SCREW-PAN HEAD,5MM (Ref # 92009A)	92011-024	2
NUT,4MM (Ref # 92015)	23020-018	1
NUT,8M/M (Ref # 92015A)	92015-1014	2
NUT,5MM (Ref # 92015B)	92015-1157	2
NUT-6MM,HEAD LAMP (Ref # 92015C)	92015-1231	1
WASHER (Ref # 92022)	23021-010	2
COLLAR,HEAD LAMP FITT (Ref # 92027)	92027-1131	2
COLLAR,REAR FENDER (Ref # 92027A)	92027-162	1
BULB,12V-60/55W (Ref # 92069)	92069-1002	1
DAMPER,HEAD LAMP FITT (Ref # 92075)	92075-1109	2
DAMPER,HEAD LAMP FITT (Ref # 92075A)	92075-1110	2
DAMPER RUBBER,RR FENR (Ref # 92075B)	92075-209	1
SPRING,FOCUS ADJUSTIN (Ref # 92081)	92081-1701	1
BOLT-UPSET-WP (Ref # 186)	186C0614	2
SCREW PAN HEAD 5X10 (Ref # 220)	220B0510	2
WASHER SPRING 5MM (Ref # 461)	461F0500	2