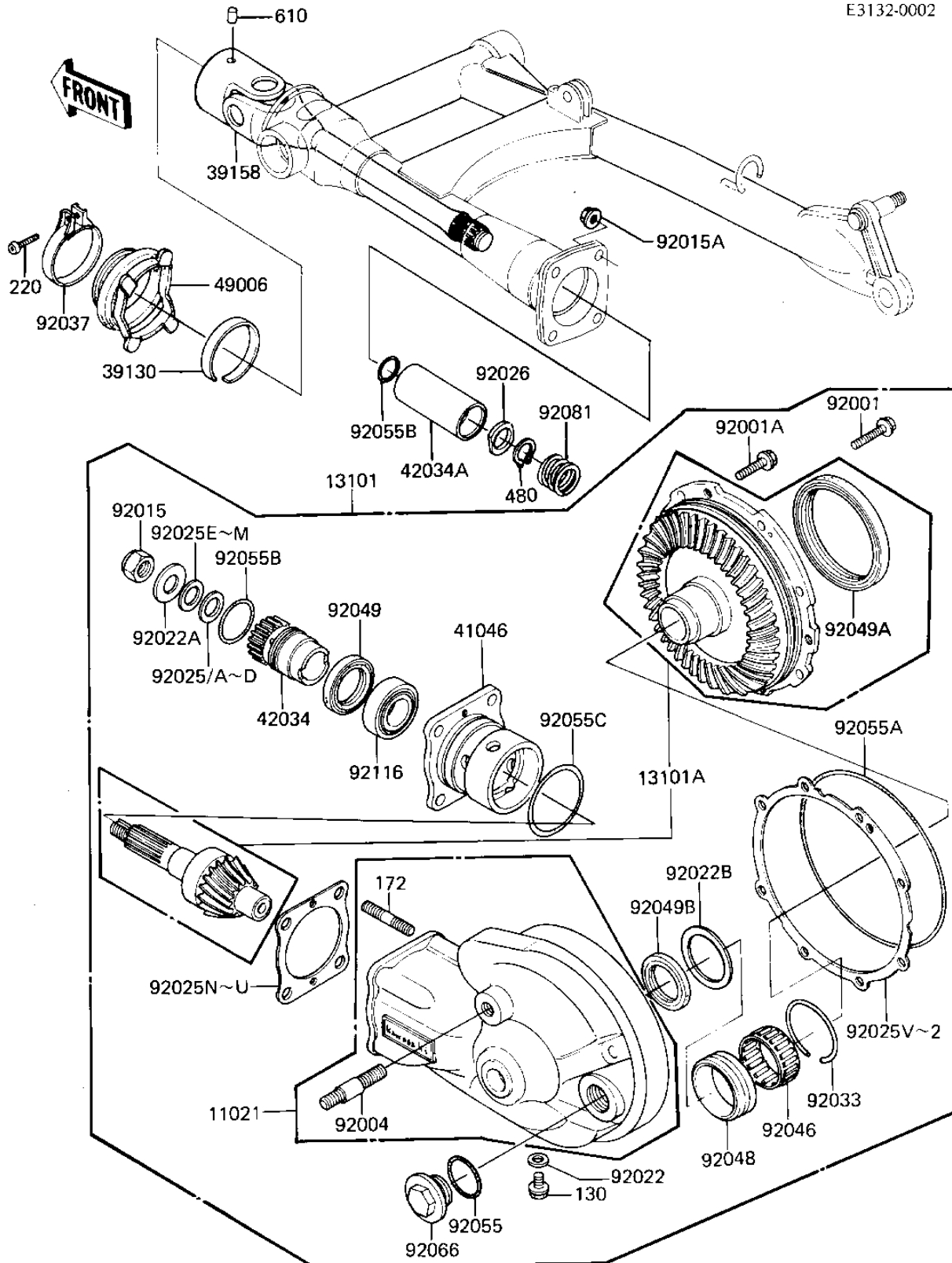


1984 LTD Shaft PARTS DIAGRAM

DRIVE SHAFT/FINAL GEARS

E3132-0002



1984 LTD Shaft PARTS LIST

DRIVE SHAFT/FINAL GEARS

ITEM NAME	PART NUMBER	QUANTITY
CASE-ASSY,FINAL GEAR, (Ref # 11021)	11021-1015-7J	1
GEAR-ASSY,FINAL,M.SIL (Ref # 13101)	13101-1024-7J	1
GEAR-ASSY,FINAL BEVEL (Ref # 13101A)	13101-5035	1
SPRING,LEAF (Ref # 39130)	39130-1002	1
SHAFT-ASSY-DRIVE (Ref # 39158)	39158-1005	1
HOUSING-BEARING (Ref # 41046)	41046-1015	1
COUPLING,DRIVE SHAFT, (Ref # 42034)	42034-1030	1
COUPLING,DRIVE SHAFT, (Ref # 42034A)	42034-1031	1
BOOT,PROPELLER SHAFT (Ref # 49006)	49006-1059	1
BOLT,8X28 (Ref # 92001)	92001-1095	6
BOLT, FLANGED, 8X25 (Ref # 92001A)	92001-1324	2
STUD,RR SHOCKABSORBER (Ref # 92004)	92004-1047	1
NUT,12MM (Ref # 92015)	92015-1182	1
NUT,FLANGED,8MM (Ref # 92015A)	92015-1408	4
WASHER (Ref # 92022)	92022-1086	1
WASHER,12X3X25X3.2 (Ref # 92022A)	92022-1293	1
WASHER,39X49.5X1 (Ref # 92022B)	92022-1294	1
SHIM,12.5X17X1.30 (Ref # 92025)	92025-1282	AR
SHIM,12.5X17X1.32 (Ref # 92025A)	92025-1283	AR
SHIM,12.5X17X1.34 (Ref # 92025B)	92025-1284	AR
SHIM,12.5X17X1.36 (Ref # 92025C)	92025-1285	AR
SHIM,12.5X17X1.38 (Ref # 92025D)	92025-1286	AR
SHIM,12.5X17X0.1 (Ref # 92025E)	92025-1287	AR
SHIM,12.5X17X0.2 (Ref # 92025F)	92025-1288	AR
SHIM,12X5X17X0.3 (Ref # 92025G)	92025-1289	AR
SHIM,12.5X17X0.5 (Ref # 92025H)	92025-1290	AR
SHIM,12.5X17X0.6 (Ref # 92025I)	92025-1291	AR
SHIM,12.5X17X0.7 (Ref # 92025J)	92025-1292	AR
SHIM,12.5X17X0.8 (Ref # 92025K)	92025-1293	AR

1984 LTD Shaft PARTS LIST

DRIVE SHAFT/FINAL GEARS

ITEM NAME	PART NUMBER	QUANTITY
SHIM,12.5X17X0.9 (Ref # 92025L)	92025-1294	AR
SHIM,12.5X17X1.0 (Ref # 92025M)	92025-1295	AR
SHIM,T=0.15 (Ref # 92025N)	92025-1312	AR
SHIM,T=0.5 (Ref # 92025O)	92025-1313	AR
SHIM,T=0.6 (Ref # 92025P)	92025-1314	AR
SHIM,T=0.7 (Ref # 92025Q)	92025-1315	AR
SHIM,T=0.8 (Ref # 92025R)	92025-1316	AR
SHIM,T=0.9 (Ref # 92025S)	92025-1317	AR
SHIM,T=1.0 (Ref # 92025T)	92025-1318	AR
SHIM,T=1.2 (Ref # 92025U)	92025-1319	AR
SHIM,T=0.15 (Ref # 92025V)	92025-1336	AR
SHIM,T=0.5 (Ref # 92025W)	92025-1337	AR
SHIM,T=0.6 (Ref # 92025X)	92025-1338	AR
SHIM,T=0.7 (Ref # 92025Y)	92025-1339	AR
SHIM,T=0.8 (Ref # 92025Z)	92025-1340	AR
SHIM,T=0.9 (Ref # 920250)	92025-1341	AR
SHIM,T=1.0 (Ref # 920251)	92025-1342	AR
SHIM,T=1.2 (Ref # 920252)	92025-1343	AR
SPACER,DRIVE SHAFT (Ref # 92026)	92026-1106	1
RING-SNAP,52MM (Ref # 92033)	92033-1074	1
CLAMP,BOOT FITTING (Ref # 92037)	92037-1112	1
BRG,NDL,KT384620EG-B2 (Ref # 92046)	92046-1037	1
RACE,ORT465021E01 (Ref # 92048)	92048-1019	1
SEAL-OIL,SC28438 (Ref # 92049)	92049-1084	1
SEAL-OIL,SC759510 (Ref # 92049A)	92049-1085	1
SEAL-OIL,SC32435.5 (Ref # 92049B)	92049-1155	1
"O" RING,VLV ADJUST (Ref # 92055)	92055-1005	1
"O" RING,I.D=150.4MM (Ref # 92055A)	92055-1039	1
RING-0,27MM (Ref # 92055B)	92055-1119	2

1984 LTD Shaft PARTS LIST

DRIVE SHAFT/FINAL GEARS

ITEM NAME	PART NUMBER	QUANTITY
RING-0,55MM (Ref # 92055C)	92055-1120	1
PLUG,OIL FILLER CAP,M (Ref # 92066)	92066-1006-7J	1
SPRING,DRIVE SHAFT (Ref # 92081)	92081-1427	1
BEARING-ROLLER,4T3200 (Ref # 92116)	92116-1010	1
BOLT,FLANGE (Ref # 130)	130B0812	1
STUD 8X30 (Ref # 172)	172G0830	4
SCREW-PAN-CROS (Ref # 220)	220B0430	1
CIRCLIP, 20MM (Ref # 480)	480J2000	1
PIN-DOWEL,4X6 (Ref # 610)	610A0406	1