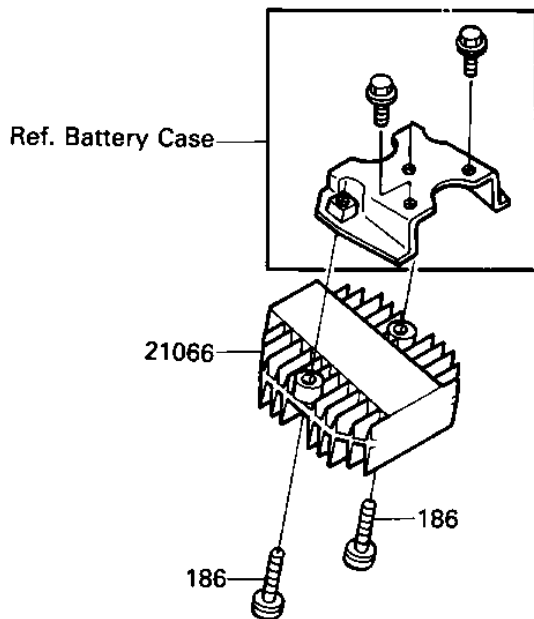
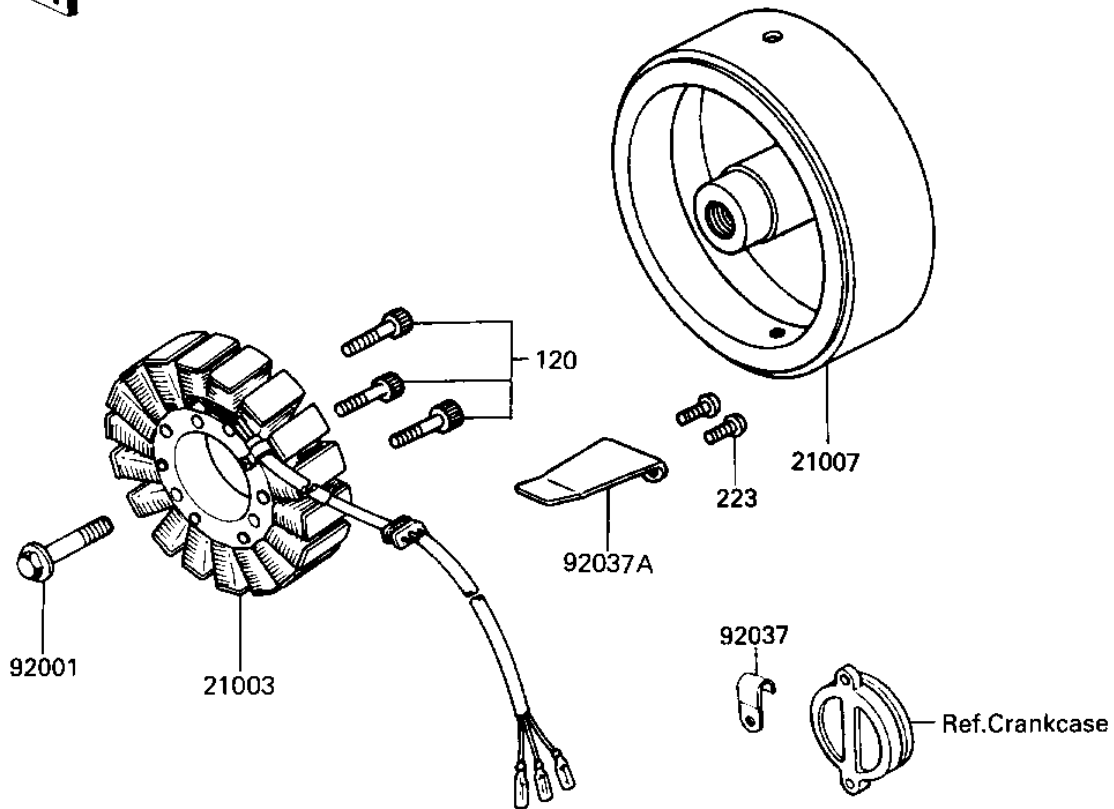


1985 LTD Shaft PARTS DIAGRAM

GENERATOR/REGULATOR

E1810-0112



1985 LTD Shaft PARTS LIST

GENERATOR/REGULATOR

ITEM NAME	PART NUMBER	QUANTITY
STATOR (Ref # 21003)	21003-1062	1
ROTOR (Ref # 21007)	21007-1050	1
REGULATOR-VOLTAGE (Ref # 21066)	21066-1055	1
BOLT,12X40 (Ref # 92001)	92001-1146	1
CLAMP,WIRING HARNESS (Ref # 92037)	21126-008	1
CLAMP,LEAD WIRE (Ref # 92037A)	92037-1369	1
BOLT,SOCKET,6X30 (Ref # 120)	120P0630	3
BOLT,6X20 (Ref # 186)	186B0620	2
SCREW-PAN-WS-CROS (Ref # 223)	223B0512	2